

## Rain shower for surface-mounted ceiling installation 300 x 240 mm - Brushed Champagne (22kt Gold)

IMO

28 041 980 Product version from 5/1/2022



Fits: IMO, LULU, MEM, CL.1, CYO

- rain shower 300 x 240mm
- PURE RAIN, max. flow rate 6.8 l/min (at 3 bar)
- PURIFY RAIN, max. flow rate 6 l/min (at 3 bar)
- with anti-scale system
- Distance to ceiling from bottom edge of shower 40 mm
- This product can help a building meet the requirements of Green Building Rating Systems, e.g. LEED®, BREEAM®, DGNB
- Not suitable for use in a steam room.

**Three-way diverter ensures that the product does not exceed the max. flow rate of 2.5 gpm at any setting. It does not permit the use of two functions simultaneously.**

**Three-way diverter trim is sold separately**

**Pre-assembly kit for three-way diverter included**

Three-way diverter ensures that the product does not exceed the max. flow rate of 2.5 gpm at any setting. It does not permit the use of two functions simultaneously.

Three-way diverter trim is sold separately

Pre-assembly kit for three-way diverter included

	Brushed Champagne (22kt Gold)	28 041 980-46 0010
	Chrome	28 041 980-00 0010
	Brushed Platinum	28 041 980-06 0010
	Platinum	28 041 980-08 0010
	Dark Chrome	28 041 980-19 0010
	Brushed Light Gold	28 041 980-27 0010
	Brushed Durabrass (23kt Gold)	28 041 980-28 0010
	Matte Black	28 041 980-33 0010
	Champagne (22kt Gold)	28 041 980-47 0010
	Brushed Chrome	28 041 980-93 0010
	Brushed Dark Platinum	28 041 980-99 0010

### Required miscellaneous



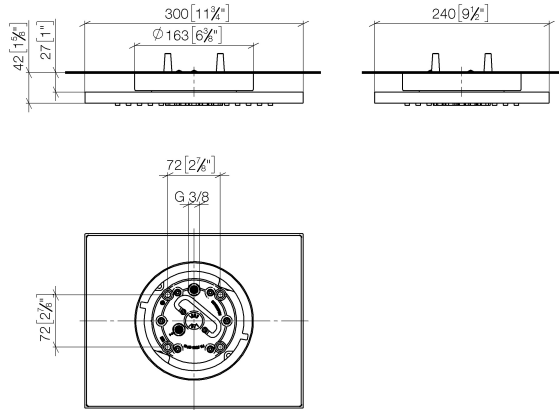
**Concealed ceiling installation box for surface-mounted ceiling installation -** 35 041 970-90 0010

- min. recess depth mm
- Pre-assembly kit for three-way diverter included
- max. recess depth mm

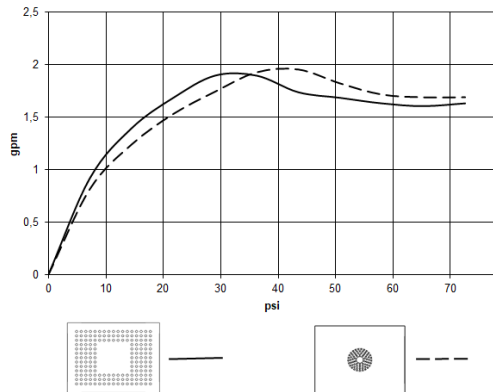
**Rain shower for surface-mounted ceiling installation 300 x 240 mm - Brushed Champagne (22kt Gold)**

IMO

28 041 980 Product version from 5/1/2022  
mm [inches]

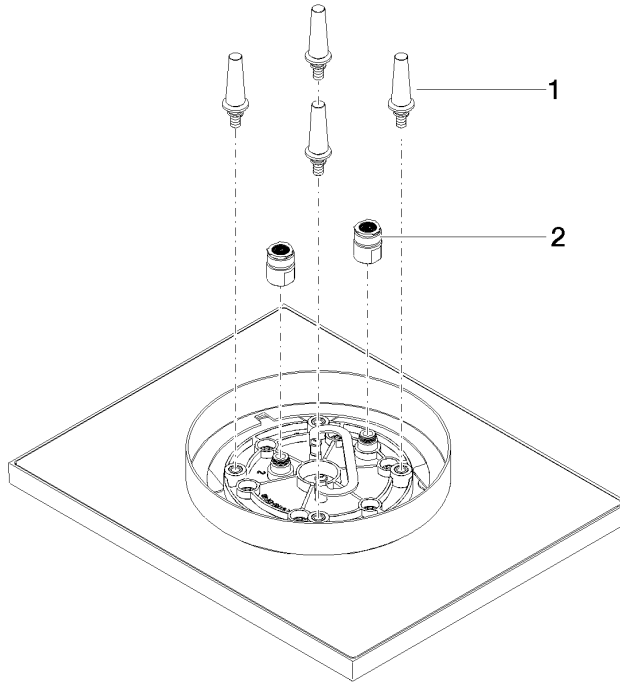


**Flow rate chart**



**Codes & Standards**

California Energy  
Commission  
(CEC)



### Spare parts list

No.	Item Number	Name	Quantity used	Delivery time
1	90 17 20 263 00 90	fixing set	1	2
2	90 24 03 309 02 90	connection	2	2