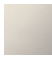

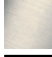





28 545 977



- 435mm projection
- Rain shower: PURE RAIN, max. flow rate 6.8 l/min (at 3 bar)
- with anti-scale system
- rain shower Ø 200 mm
- rosette Ø 55 mm
- 1/2" connection
- This product reduces water consumption by % (compared to requirements of EAct '92)
- This product can help a building meet the requirements of Green Building Rating Systems, e.g. LEED®, BREEAM®, DGNB

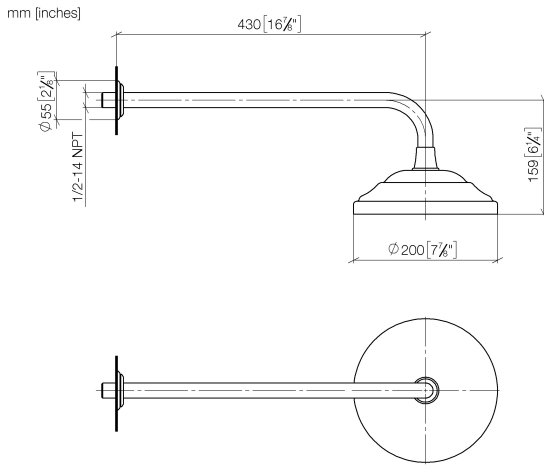
	Platinum	28 545 977-08 0010
	Chrome	28 545 977-00 0010
	Brushed Platinum	28 545 977-06 0010
	Durabrace (23kt Gold)	28 545 977-09 0010
	Brushed Durabrace (23kt Gold)	28 545 977-28 0010
	Brushed Dark Platinum	28 545 977-99 0010

**Required miscellaneous**

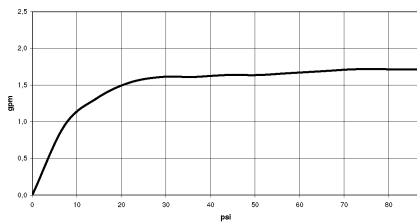


- Concealed wall elbow -** 35 085 970-90
- max. recess depth 163 mm 0010
  - min. recess depth 90 mm

28 545 977



**Flow rate chart**



**Codes & Standards**

ASME  
A112.18.1/CSA  
B125.1

California Energy  
Commission  
(CEC)

Water Sense





## MADISON Rain shower with wall fixing 200 mm - Platinum

---

MADISON

28 545 977

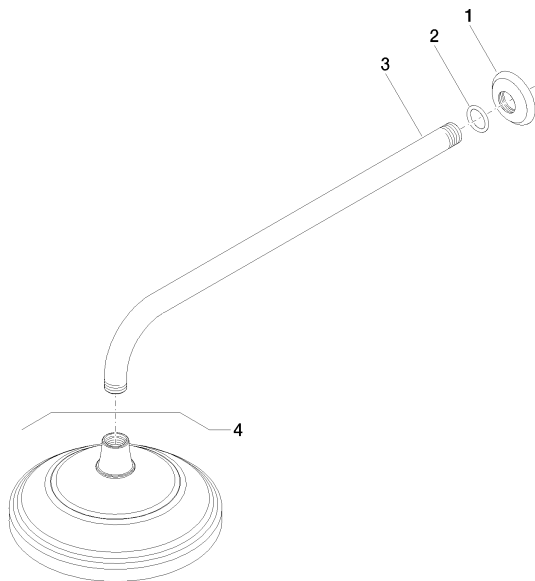
### Certificates

---

IAPMO\_11777.

IAPMO\_4976 (2).

28 545 977



### Spare parts list

No.	Item Number	Name	Quantity used	Delivery time
1	09 27 35 003-08	rosette	1	40
2	90 14 10 026 00 90	seal	1	2
3	09 11 03 017-08	connection	1	40
4	28 535 977-08 0010	shower	1	-

Spare part can no longer be ordered, please order the replacement item