







**MADISON Rain shower with wall fixing 200 mm - Brushed Durabronz (23kt Gold)**

MADISON

28 545 977



- 435mm projection
- Rain shower: PURE RAIN, max. flow rate 6.8 l/min (at 3 bar)
- with anti-scale system
- rain shower Ø 200 mm
- rosette Ø 55 mm
- 1/2" connection
- This product reduces water consumption by % (compared to requirements of EPAct '92)
- This product can help a building meet the requirements of Green Building Rating Systems, e.g. LEED®, BREEAM®, DGNB

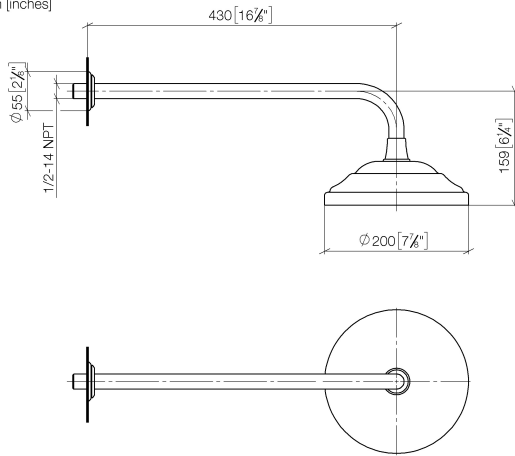
	Brushed Durabronz (23kt Gold)	28 545 977-28 0010
	Chrome	28 545 977-00 0010
	Brushed Platinum	28 545 977-06 0010
	Platinum	28 545 977-08 0010
	Durabronz (23kt Gold)	28 545 977-09 0010
	Brushed Dark Platinum	28 545 977-99 0010

**Required miscellaneous**

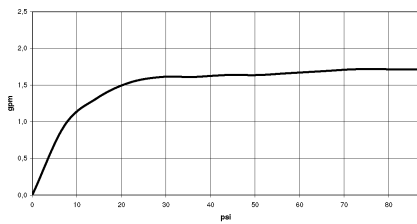


- Concealed wall elbow -** 35 085 970-90  
 •max. recess depth 163 mm 0010  
 •min. recess depth 90 mm

28 545 977  
mm [inches]



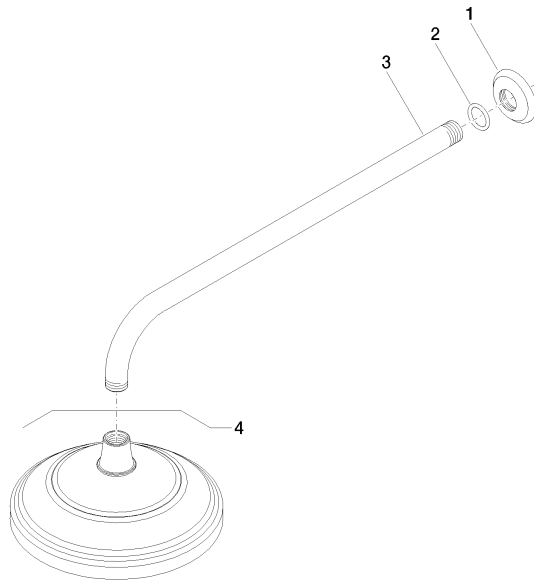
**Flow rate chart**



**Codes & Standards**

ASME A112.18.1/CSA B125.1	California Energy Commission (CEC)
---------------------------------	--

28 545 977



### Spare parts list

No.	Item Number	Name	Quantity used	Delivery time
1	09 27 35 003-28	rosette	1	60
2	90 14 10 026 00 90	seal	1	2
3	09 11 03 017-28	connection	1	60
4	28 535 977-28 0010	shower	1	-

Spare part can no longer be ordered, please order the replacement item