

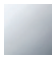



LULU Rain shower with wall fixing 300 x 240 mm - Chrome

LULU

28 786 710



- 450mm projection
- PURE RAIN, max. flow rate 6.8 l/min (at 3 bar)
- Function from: 6 l/min
- with anti-scale system
- rain shower 300 x 240mm
- rosette 78 x 60 mm
- 1/2" connection
- quick clearing
- This product reduces water consumption by % (compared to requirements of EPAAct '92)
- This product can contribute to Water Use Reduction in LEED® Green Building Rating
- This product can help a building meet the requirements of Green Building Rating Systems, e.g. LEED®, BREEAM®, DGNB

| | | |
|---|-----------------------------------|--------------------|
|  | Chrome | 28 786 710-00 0010 |
|  | Brushed Platinum | 28 786 710-06 0010 |
|  | Brushed Durabronze (23kt Gold) | 28 786 710-28 0010 |
|  | Brushed Dark Platinum | 28 786 710-99 0010 |

Required miscellaneous



- | | |
|-------------------------------|---------------|
| Concealed wall elbow - | 35 085 970-90 |
| ● max. recess depth 163 mm | 0010 |
| ● min. recess depth 90 mm | |

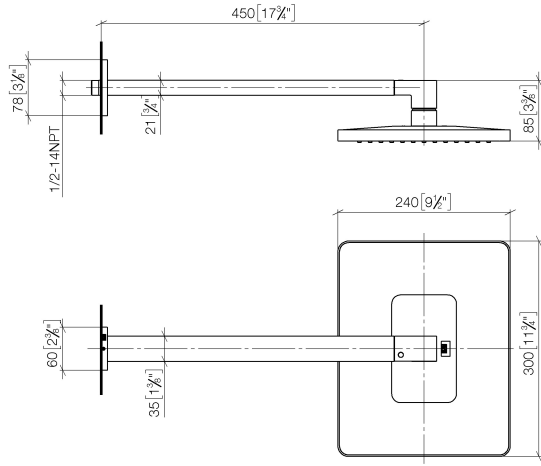


LULU Rain shower with wall fixing 300 x 240 mm - Chrome

LULU

28 786 710

mm [inches]



Flow rate chart



Codes & Standards

ASME
A112.18.1/CSA
B125.1

California Energy
Commission
(CEC)

Water Sense





LULU Rain shower with wall fixing 300 x 240 mm - Chrome

LULU

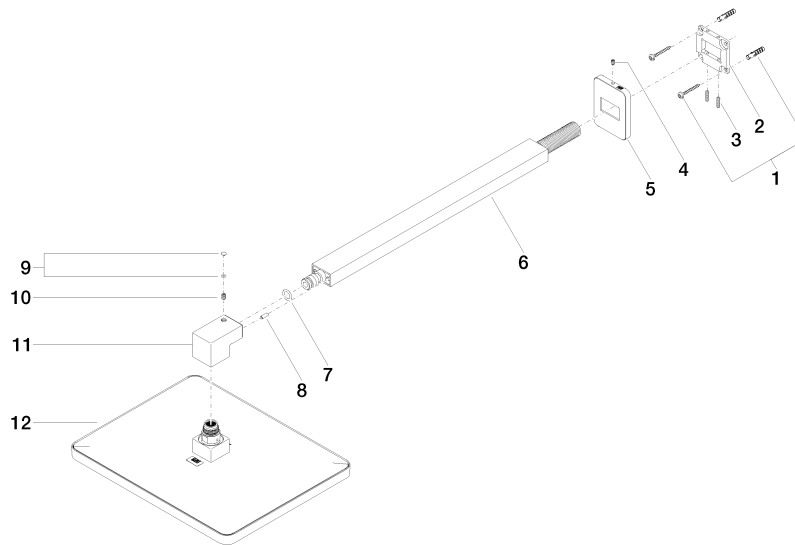
28 786 710

Certificates

IAPMO_11777.

IAPMO_4976 (4).

28 786 710



Spare parts list

| No. | Item Number | Name | Quantity used | Delivery time |
|-----|--------------------|------------|---------------|---------------|
| 1 | 04 30 31 032 00 90 | fixing set | 1 | 2 |
| 2 | 09 30 11 160 90 | disc | 1 | 2 |
| 3 | 09 31 11 084 90 | pin | 2 | 2 |
| 4 | 09 31 11 048 90 | pin | 1 | 2 |
| 5 | 09 27 71 019-00 | rosette | 1 | 10 |
| 6 | 04 28 22 247 20-00 | pipe | 1 | 10 |
| 7 | 90 14 10 011 00 90 | seal | 1 | 2 |
| 8 | 09 31 11 040 90 | pin | 1 | 2 |
| 9 | 90 31 20 087 00-00 | plug | 1 | 10 |
| 10 | 09 31 11 036 90 | pin | 1 | 2 |
| 11 | 09 17 01 180-00 | connection | 1 | 10 |
| 12 | 04 12 05 062 10-00 | shower | 1 | 10 |