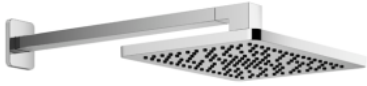


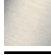




28 786 710



- 450mm projection
- PURE RAIN, max. flow rate 6.8 l/min (at 3 bar)
- Function from: 6 l/min
- with anti-scale system
- rain shower 300 x 240mm
- rosette 78 x 60 mm
- 1/2" connection
- quick clearing
- This product reduces water consumption by % (compared to requirements of EPAAct '92)
- This product can contribute to Water Use Reduction in LEED® Green Building Rating
- This product can help a building meet the requirements of Green Building Rating Systems, e.g. LEED®, BREEAM®, DGNB

	Brushed Dark Platinum	28 786 710-99 0010
	Chrome	28 786 710-00 0010
	Brushed Platinum	28 786 710-06 0010
	Brushed Durabronze (23kt Gold)	28 786 710-28 0010

Required miscellaneous

	Concealed wall elbow -	35 085 970-90
	•max. recess depth 163 mm	0010
	•min. recess depth 90 mm	

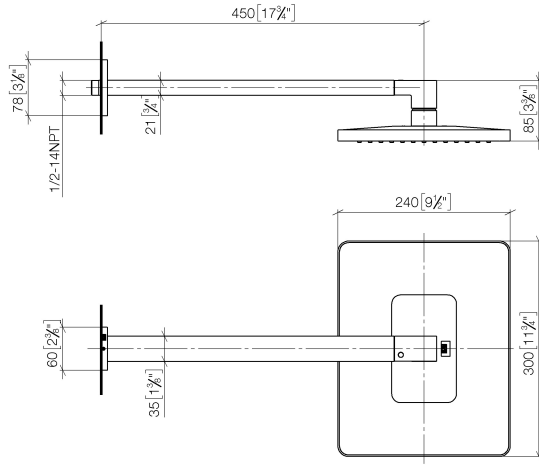


LULU Rain shower with wall fixing 300 x 240 mm - Brushed Dark Platinum

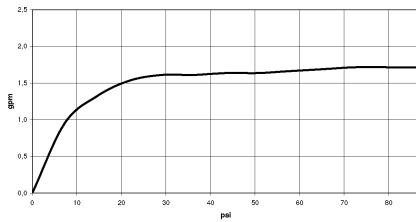
LULU

28 786 710

mm [inches]



Flow rate chart



Codes & Standards

ASME
A112.18.1/CSA
B125.1

California Energy
Commission
(CEC)

Water Sense





LULU Rain shower with wall fixing 300 x 240 mm - Brushed Dark Platinum

LULU

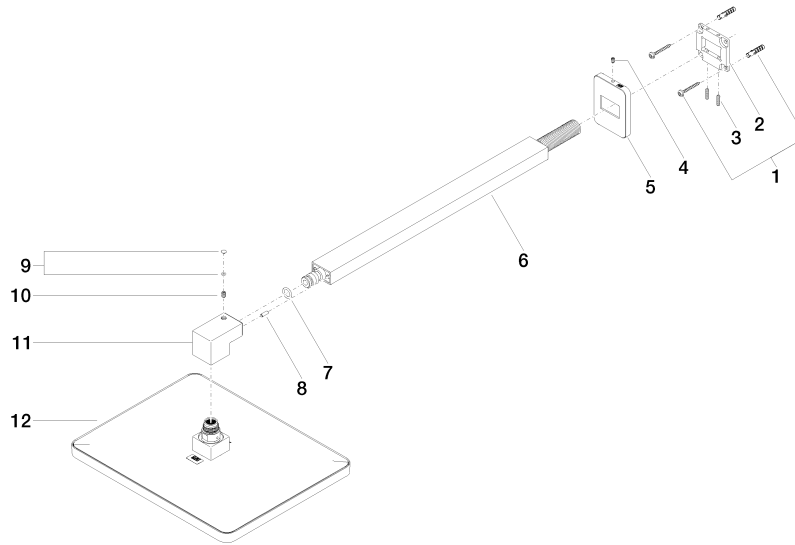
28 786 710

Certificates

IAPMO_11777.

IAPMO_4976 (2).

28 786 710



Spare parts list

No.	Item Number	Name	Quantity used	Delivery time
1	04 30 31 032 00 90	fixing set	1	2
2	09 30 11 160 90	disc	1	2
3	09 31 11 084 90	pin	2	2
4	09 31 11 048 90	pin	1	2
5	09 27 71 019-99	rosette	1	30
6	04 28 22 247 20-99	pipe	1	30
7	90 14 10 011 00 90	seal	1	2
8	09 31 11 040 90	pin	1	2
9	90 31 20 087 00-99	plug	1	30
10	09 31 11 036 90	pin	1	2
11	09 17 01 180-99	connection	1	30
12	04 12 05 062 10-99	shower	1	30