

32 800 790



- 235mm projection
- pivotable spout 360°
- spout, end-piece with 20° rotation
- air-enriched flow
- height of mixer 337 mm
- height up to aerator 297 mm
- individual rosettes Ø 55mm
- hole diameter spout 35 mm
- single-lever mixer hole diameter 35 mm
- 2 x pressure hose with 3/8" cap nut
- max. flow 5.7 l/min at 3 bar flow pressure
- lead-free
- This product can help a building meet the requirements of Green Building Rating Systems, e.g. LEED®, BREEAM®, DGNB

Operating unit can be positioned freely.

	Brushed Chrome	32 800 790-93 0010
	Chrome	32 800 790-00 0010
	Brushed Platinum	32 800 790-06 0010
	Platinum	32 800 790-08 0010
	Dark Chrome	32 800 790-19 0010
	Brushed Durabronze (23kt Gold)	32 800 790-28 0010
	Brushed Champagne (22kt Gold)	32 800 790-46 0010
	Champagne (22kt Gold)	32 800 790-47 0010
	Brushed Dark Platinum	32 800 790-99 0010

Recommended miscellaneous

AIR SWITCH Control button - Brushed Chrome 10 713 970-93

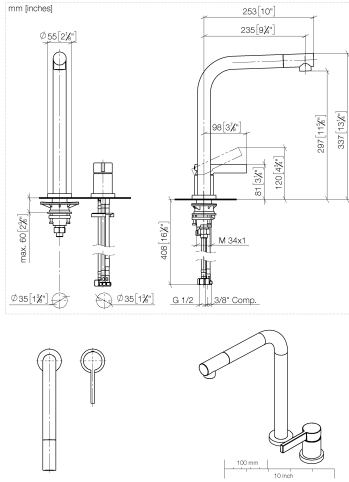


Recommended miscellaneous

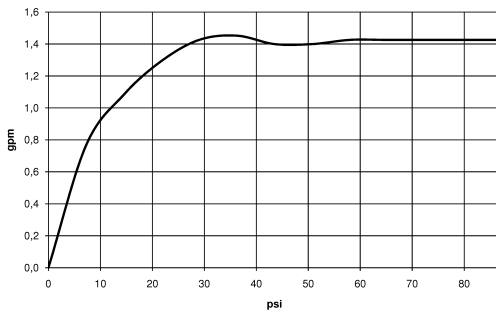
Dispenser with rosette - Brushed Chrome 82 444 970-93



32 800 790



Flow rate chart



Codes & Standards

ADA

ASME
A112.18.1/CSA
B125.1

California Energy
Commission
(CEC)

NSF/ANSI 372

NSF/ANSI/CAN
61



ELIO Two-hole mixer with individual rosettes - Brushed Chrome

ELIO

32 800 790

Certificates

IAPMO_N-4976. IAPMO_6397.

32 800 790

Parts for other finishes can be found here: [Chrome](#)

