

TARA Two-hole mixer with individual rosettes - Chrome

TARA

32 815 888



- 236mm projection
- pivotable spout 360°
- air-enriched flow
- height of mixer 374 mm
- height up to aerator 216 mm
- individual rosette 60 x mm
- hole diameter spout 35 mm
- single-lever mixer hole diameter 35 mm
- 2 x pressure hose with 3/8" cap nut
- max. flow 5.7 l/min at 3 bar flow pressure
- lead-free
- This product can help a building meet the requirements of Green Building Rating Systems, e.g. LEED®, BREEAM®, DGNB

Operating unit can be positioned freely.

	Chrome	32 815 888-00 0010
	Brushed Platinum	32 815 888-06 0010
	Platinum	32 815 888-08 0010
	Durabronze (23kt Gold)	32 815 888-09 0010
	Dark Chrome	32 815 888-19 0010
	Brushed Durabronze (23kt Gold)	32 815 888-28 0010
	Matte Black	32 815 888-33 0010
	Brushed Champagne (22kt Gold)	32 815 888-46 0010
	Champagne (22kt Gold)	32 815 888-47 0010
	Brushed Chrome	32 815 888-93 0010
	Brushed Dark Platinum	32 815 888-99 0010

Recommended miscellaneous

Swivel limitation set - 12 820 970 90



Recommended miscellaneous

AIR SWITCH Control button - Chrome 10 713 970-00

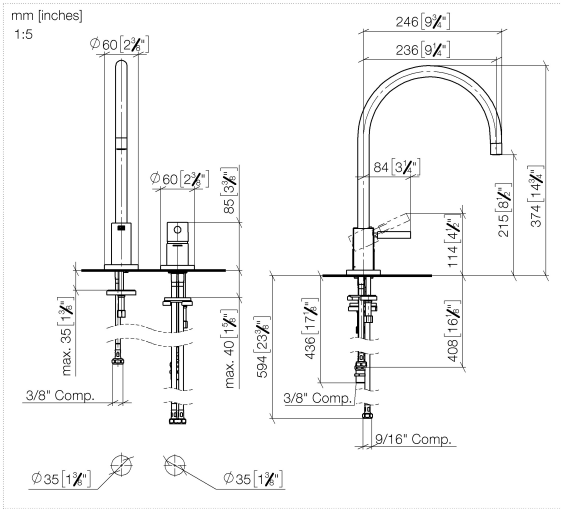


Recommended miscellaneous

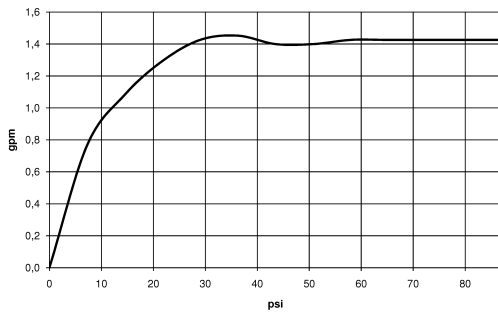
Dispenser with rosette - Chrome 82 444 970-00



32 815 888



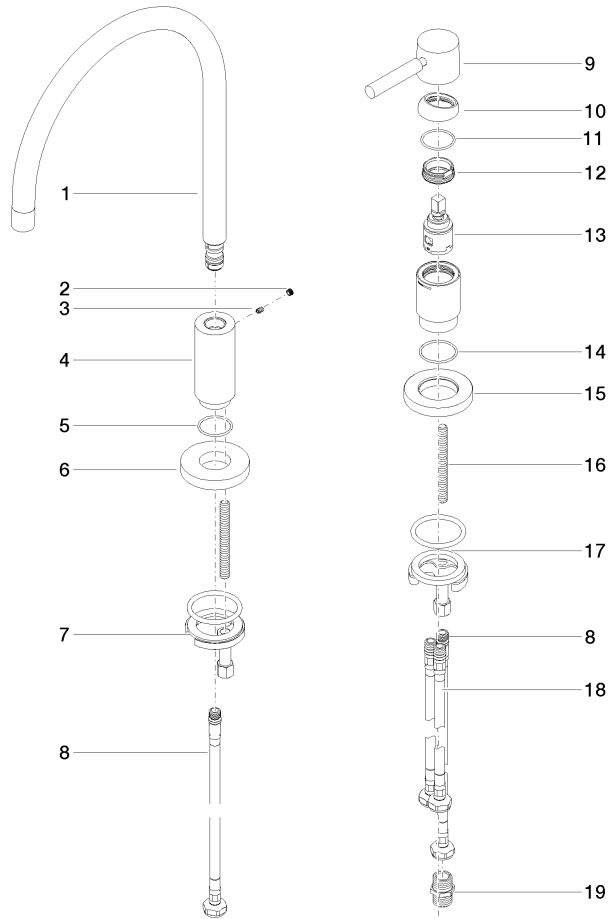
Flow rate chart



Codes & Standards

California Energy
Commission
(CEC)

32 815 888





TARA Two-hole mixer with individual rosettes - Chrome

TARA

32 815 888

Spare parts list

No.	Item Number	Name	Quantity used	Delivery time
	90 28 22 226 02-00	spout	21	10