


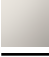




33 500 670



- 130mm projection
- 1 1/4" pop-up waste
- fixed spout
- rectangular, air-enriched flow
- height of mixer 154 mm
- height up to aerator 80 mm
- hole diameter 35 mm
- 2 x pressure hose with 3/8" cap nut
- max. flow 4.5 l/min
- lead-free
- This product can help a building meet the requirements of Green Building Rating Systems, e.g. LEED®, BREEAM®, DGNB

Only suitable for basins with an overflow.

	Brushed Chrome	33 500 670-93 0010
	Chrome	33 500 670-00 0010
	Brushed Platinum	33 500 670-06 0010
	Platinum	33 500 670-08 0010
	Brushed Durabross (23kt Gold)	33 500 670-28 0010
	Brushed Dark Platinum	33 500 670-99 0010

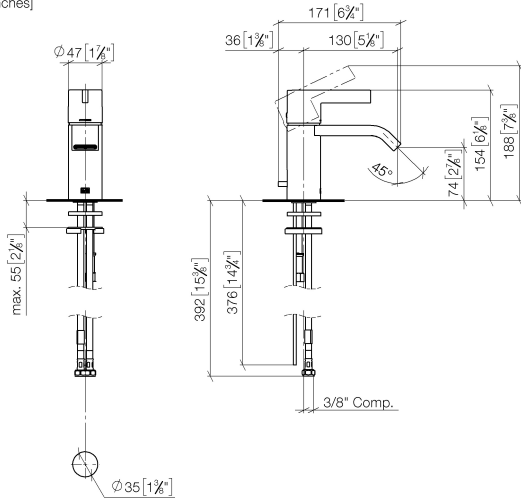


IMO Single-lever basin mixer with pop-up waste - Brushed Chrome

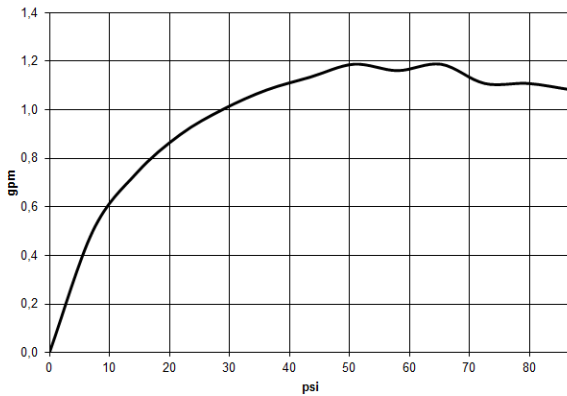
IMO

33 500 670

mm [inches]



Flow rate chart



Codes & Standards

ADA	ASME A112.18.1	ASME A112.18.1/CSA B125.1	California Energy Commission (CEC)
cUPC	EPA WaterSense	NSF/ANSI 372	NSF/ANSI/CAN 61
NSF372	NSF61	Water Sense	WaterSense



IMO Single-lever basin mixer with pop-up waste - Brushed Chrome

IMO

33 500 670

Certificates

IAPMO_4976

IAPMO_8834

IAPMO_6397

IAPMO_N-4976

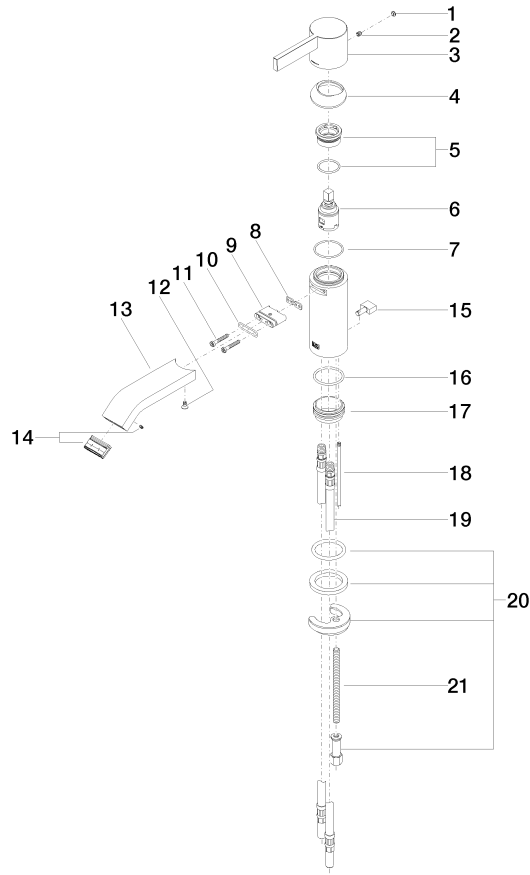
33 500 670

Product version up to 10/10/2018

Product version from 10/10/2018 to 5/10/2021

Product version from 5/10/2021

Parts for other finishes can be found here: [Chrome](#)



22 ——— Abba/Gemtur 04.11.01.023.00-R



IMO Single-lever basin mixer with pop-up waste - Brushed Chrome

IMO

33 500 670

Spare parts list

Product version up to 10/10/2018

Product version from 10/10/2018 to 5/10/2021

Product version from 5/10/2021

No.	Item Number	Name	Quantity used	Delivery time
	90 31 20 087 00-93	plug	24	20