

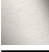





33 500 670



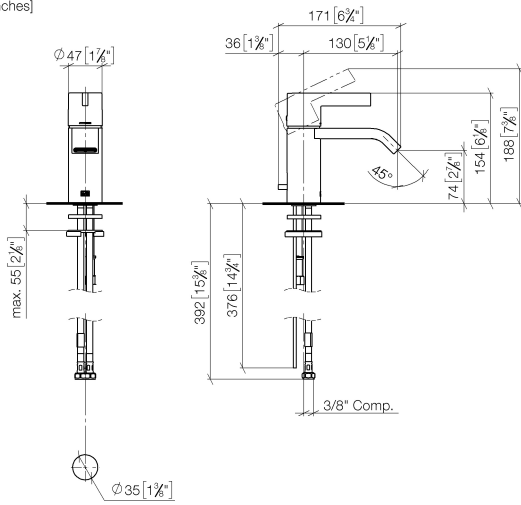
- 130mm projection
- 1 1/4" pop-up waste
- fixed spout
- rectangular, air-enriched flow
- height of mixer 154 mm
- height up to aerator 80 mm
- hole diameter 35 mm
- 2 x pressure hose with 3/8" cap nut
- max. flow 4.5 l/min
- lead-free
- This product can help a building meet the requirements of Green Building Rating Systems, e.g. LEED®, BREEAM®, DGNB

Only suitable for basins with an overflow.

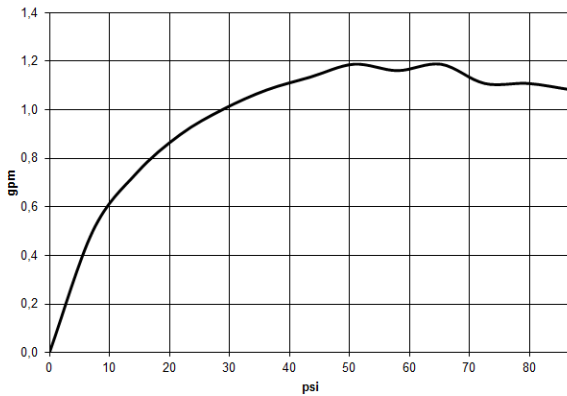
| | | |
|--|--------------------------------|--------------------|
|  | Brushed Dark Platinum | 33 500 670-99 0010 |
|  | Chrome | 33 500 670-00 0010 |
|  | Brushed Platinum | 33 500 670-06 0010 |
|  | Platinum | 33 500 670-08 0010 |
|  | Brushed Durabronze (23kt Gold) | 33 500 670-28 0010 |
|  | Brushed Chrome | 33 500 670-93 0010 |

33 500 670


mm [inches]



Flow rate chart



Codes & Standards

| | | | |
|--------|----------------|---------------------------|--|
| ADA | ASME A112.18.1 | ASME A112.18.1/CSA B125.1 | California Energy Commission (CEC) |
| cUPC | EPA WaterSense | NSF/ANSI 372 | NSF/ANSI/CAN 61 |
| NSF372 | NSF61 | Water Sense | WaterSense  |



IMO Single-lever basin mixer with pop-up waste - Brushed Dark Platinum

IMO

33 500 670

Certificates

IAPMO_4976

IAPMO_8834

IAPMO_6397

IAPMO_N-4976

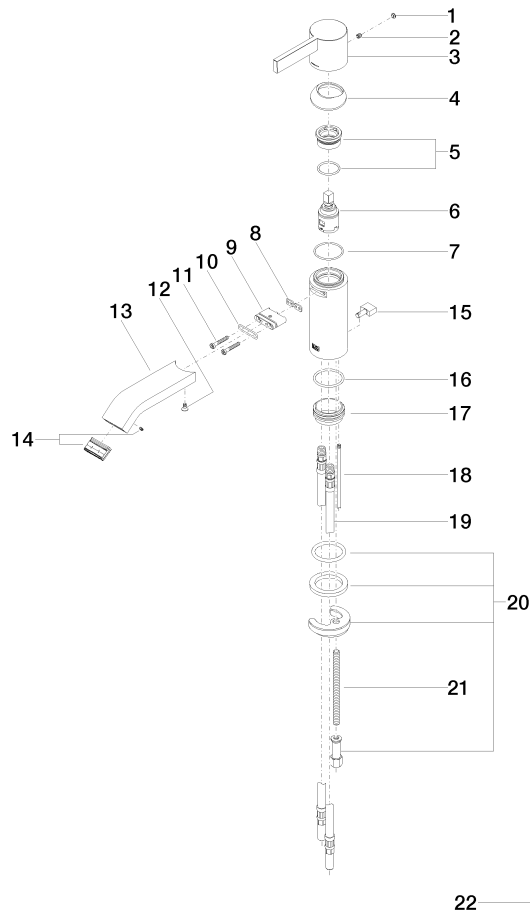
33 500 670

Product version up to 10/10/2018

Product version from 10/10/2018 to 5/10/2021

Product version from 5/10/2021

Parts for other finishes can be found here: [Chrome](#)





IMO Single-lever basin mixer with pop-up waste - Brushed Dark Platinum

IMO

33 500 670

Spare parts list

Product version up to 10/10/2018

Product version from 10/10/2018 to 5/10/2021

Product version from 5/10/2021

| No. | Item Number | Name | Quantity used | Delivery time |
|-----|--------------------|------|---------------|---------------|
| | 90 31 20 087 00-99 | plug | 24 | 30 |