

LULU Single-lever basin mixer with pop-up waste - Brushed Platinum



LULU

33 500 710



- 155mm projection
- 1 1/4" pop-up waste
- fixed spout
- circular, air-enriched flow
- height of mixer 113 mm
- height up to aerator 90 mm
- hole diameter 35 mm
- 2 x pressure hose with 3/8" cap nut
- max. flow 4.5 l/min
- lead-free
- This product can help a building meet the requirements of Green Building Rating Systems, e.g. LEED®, BREEAM®, DGNB

Only suitable for basins with an overflow.

	Brushed Platinum	33 500 710-06 0010
	Chrome	33 500 710-00 0010

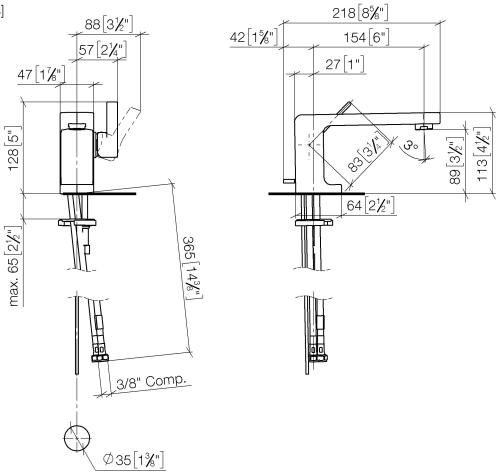


LULU Single-lever basin mixer with pop-up waste - Brushed Platinum

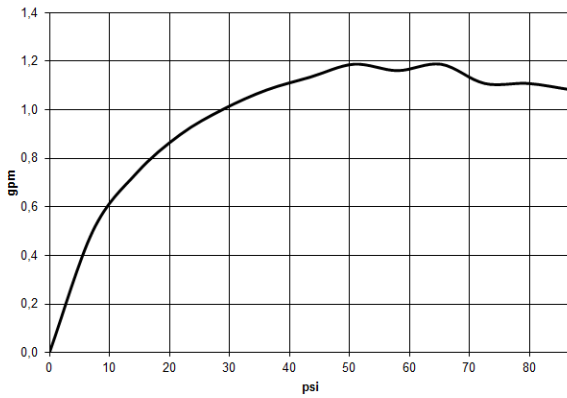
LULU

33 500 710


mm [inches]



Flow rate chart



Codes & Standards

ADA	ASME A112.18.1	ASME A112.18.1/CSA B125.1	California Energy Commission (CEC)
cUPC	EPA WaterSense	NSF/ANSI 372	NSF/ANSI/CAN 61
NSF372	NSF61	Water Sense	WaterSense 



LULU Single-lever basin mixer with pop-up waste - Brushed Platinum

LULU

33 500 710

Certificates

IAPMO_4976

IAPMO_8834

IAPMO_6397

IAPMO_N-4976

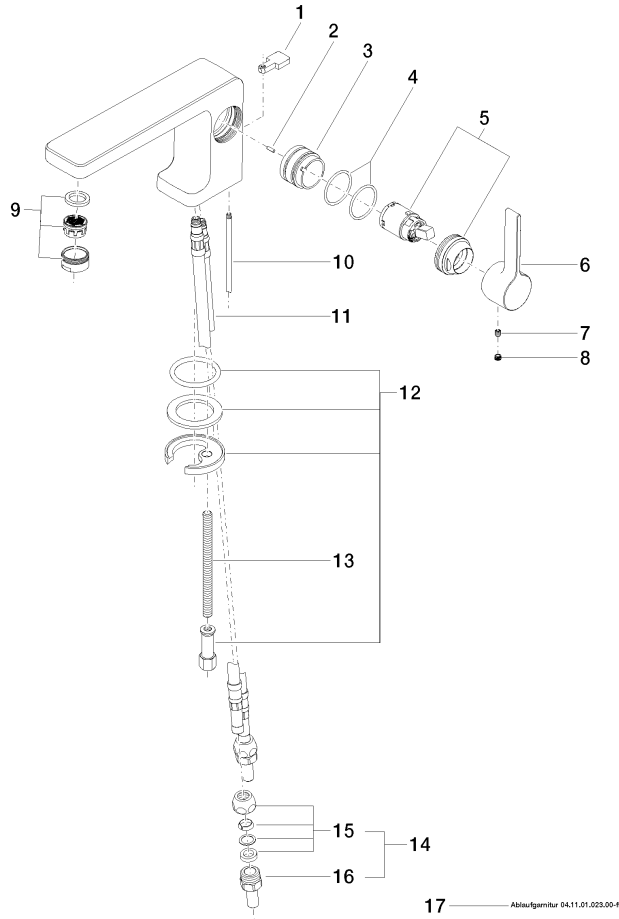
33 500 710

Product version from 3/31/2009 to 5/15/2020

Product version from 5/15/2020 to 5/10/2021

Product version from 5/10/2021

Parts for other finishes can be found here: [Chrome](#)





LULU Single-lever basin mixer with pop-up waste - Brushed Platinum

LULU

33 500 710

Spare parts list

Product version from 3/31/2009 to 5/15/2020

Product version from 5/15/2020 to 5/10/2021

Product version from 5/10/2021

No.	Item Number	Name	Quantity used	Delivery time
	09 20 71 030-06	handle	21	10