

LISSÉ Single-lever basin mixer with pop-up waste - Matte Black

LISSÉ

33 500 845



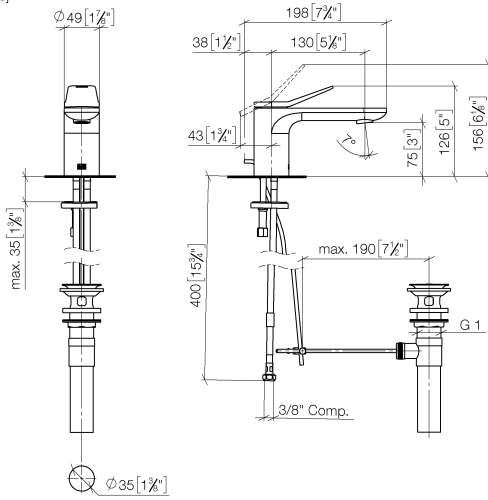
- 130mm projection
- 1 1/4" pop-up waste
- fixed spout
- circular, air-enriched flow
- height of mixer 127 mm
- height up to aerator 75 mm
- hole diameter 35 mm
- 2 x pressure hose with 3/8" cap nut
- max. flow 4.5 l/min
- lead-free
- This product can help a building meet the requirements of Green Building Rating Systems, e.g. LEED®, BREEAM®, DGNB

Only suitable for basins with an overflow.

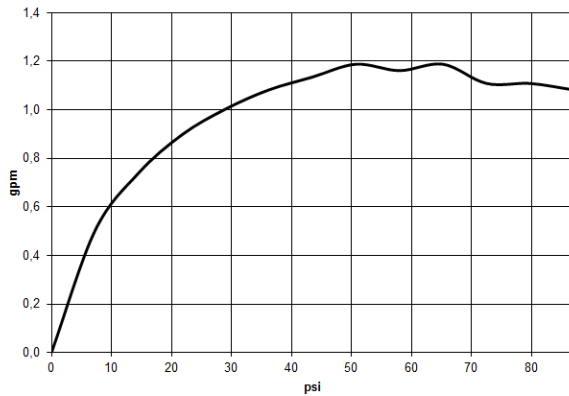
| | | |
|--|-----------------------|--------------------|
|  | Matte Black | 33 500 845-33 0010 |
|  | Chrome | 33 500 845-00 0010 |
|  | Brushed Platinum | 33 500 845-06 0010 |
|  | Dark Chrome | 33 500 845-19 0010 |
|  | Brushed Light Gold | 33 500 845-27 0010 |
|  | Brushed Chrome | 33 500 845-93 0010 |
|  | Brushed Dark Platinum | 33 500 845-99 0010 |

33 500 845


mm [inches]



Flow rate chart



Codes & Standards

| | | | |
|--------------|--|--|----------------|
| ADA | ASME A112.18.1/CSA B125.1 | California Energy Commission (CEC) | EPA WaterSense |
| NSF/ANSI 372 | NSF/ANSI/CAN 61 | NSF372 | NSF61 |
| Water Sense | WaterSense  | | |



LISSÉ Single-lever basin mixer with pop-up waste - Matte Black

LISSÉ

33 500 845

Certificates

IAPMO_8834

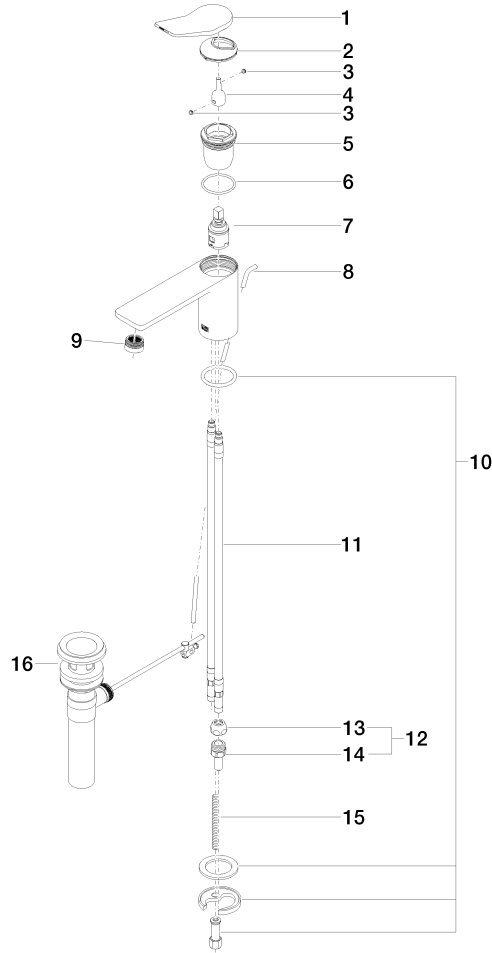
IAPMO_6397

IAPMO_N-4976

33 500 845

Product version from 5/3/2021

Parts for other finishes can be found here: [Chrome](#)





LISSÉ Single-lever basin mixer with pop-up waste - Matte Black

LISSÉ

33 500 845

Spare parts list

Product version from 5/3/2021