

33 500 882

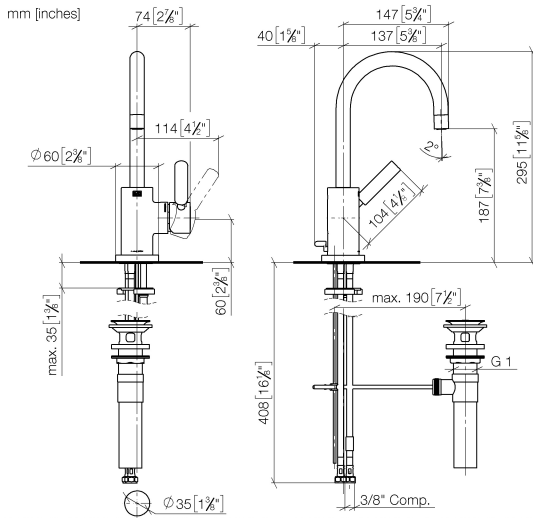


- 137mm projection
- pivotable spout 360°
- circular, air-enriched flow
- height of mixer 295 mm
- height up to aerator 187 mm
- hole diameter 35 mm
- 2x screw-in M 8 x 1 pressure hose, leak-tested
- max. flow 4.5 l/min
- lead-free
- This product can help a building meet the requirements of Green Building Rating Systems, e.g. LEED®, BREEAM®, DGNB

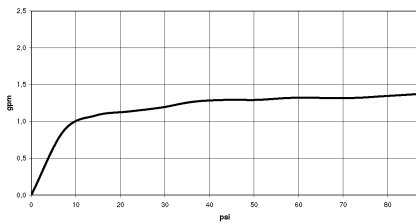
Only suitable for basins with an overflow.

	Dark Chrome	33 500 882-19 0010
	Chrome	33 500 882-00 0010
	Brushed Platinum	33 500 882-06 0010
	Platinum	33 500 882-08 0010
	Brushed Durabronze (23kt Gold)	33 500 882-28 0010
	Matte Black	33 500 882-33 0010
	Brushed Bronze	33 500 882-42 0010
	Brushed Champagne (22kt Gold)	33 500 882-46 0010
	Champagne (22kt Gold)	33 500 882-47 0010
	Brushed Chrome	33 500 882-93 0010
	Brushed Dark Platinum	33 500 882-99 0010

33 500 882



**Flow rate chart**



**Codes & Standards**

California Energy  
Commission  
(CEC)

NSF372

NSF61



## TARA Single-lever basin mixer with pop-up waste - Dark Chrome

---

TARA

33 500 882

### Certificates

---

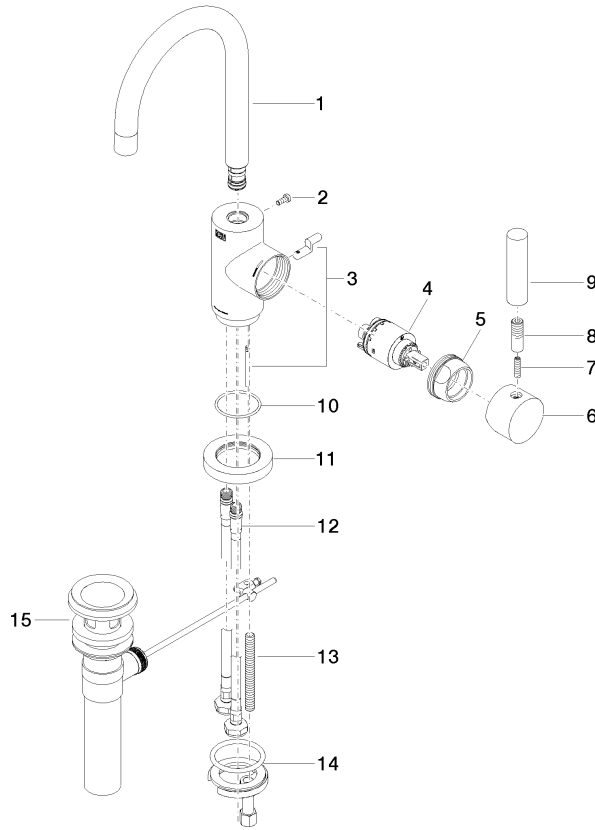
IAPMO\_6397

IAPMO\_N-4976

33 500 882

**Product version from 4/1/2024**

Parts for other  
finishes can be found  
here: [Chrome](#)





TARA Single-lever basin mixer with pop-up waste - Dark Chrome

TARA

33 500 882

**Spare parts list**

**Product version from 4/1/2024**

No.	Item Number	Name	Quantity used	Delivery time
	90 28 22 371 01-19	spout	16	20