

TARA Single-lever basin mixer with pop-up waste - Brushed Champagne (22kt Gold)

TARA

33 500 882



- 137mm projection
- pivotable spout 360°
- circular, air-enriched flow
- height of mixer 295 mm
- height up to aerator 187 mm
- hole diameter 35 mm
- 2x screw-in M 8 x 1 pressure hose, leak-tested
- max. flow 4.5 l/min
- lead-free
- This product can help a building meet the requirements of Green Building Rating Systems, e.g. LEED®, BREEAM®, DGNB

Only suitable for basins with an overflow.

	Brushed Champagne (22kt Gold)	33 500 882-46 0010
	Chrome	33 500 882-00 0010
	Brushed Platinum	33 500 882-06 0010
	Platinum	33 500 882-08 0010
	Dark Chrome	33 500 882-19 0010
	Brushed Durabronze (23kt Gold)	33 500 882-28 0010
	Matte Black	33 500 882-33 0010
	Brushed Bronze	33 500 882-42 0010
	Champagne (22kt Gold)	33 500 882-47 0010
	Brushed Chrome	33 500 882-93 0010
	Brushed Dark Platinum	33 500 882-99 0010

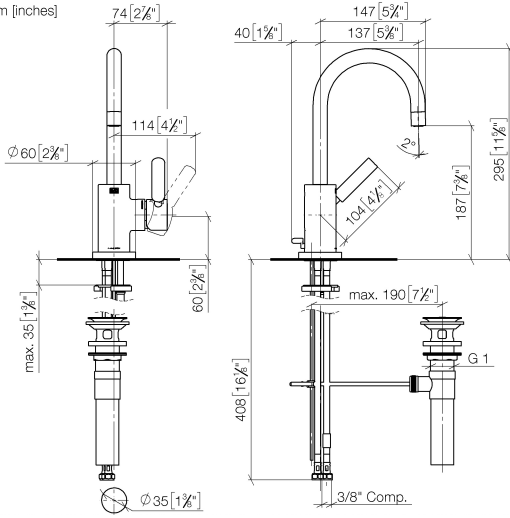


TARA Single-lever basin mixer with pop-up waste - Brushed Champagne (22kt Gold)

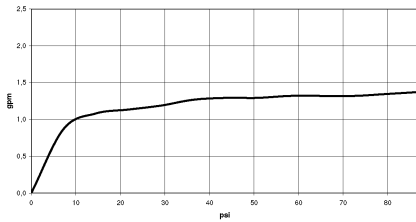
TARA

33 500 882

mm [inches]



Flow rate chart



Codes & Standards

California Energy
Commission
(CEC)

NSF372

NSF61



TARA Single-lever basin mixer with pop-up waste - Brushed Champagne (22kt Gold)

TARA

33 500 882

Certificates

IAPMO_6397

IAPMO_N-4976



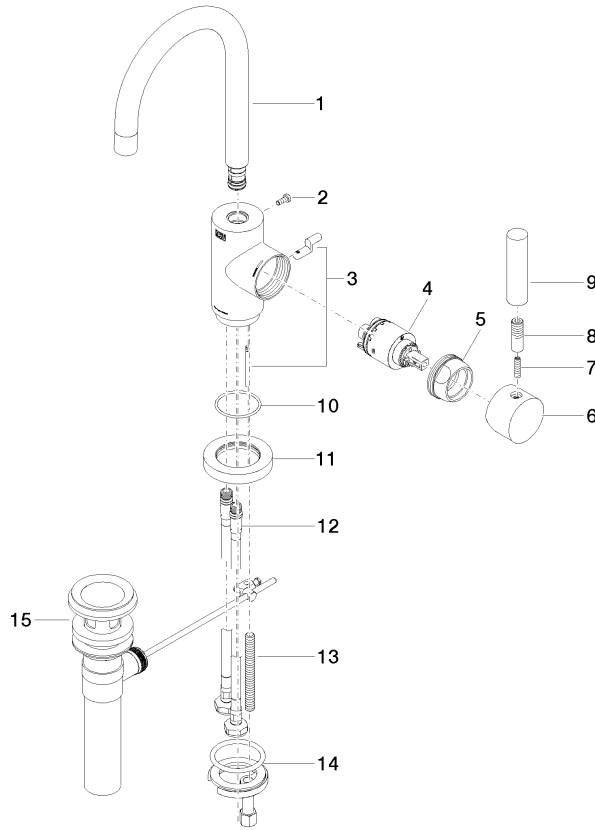
TARA Single-lever basin mixer with pop-up waste - Brushed Champagne (22kt Gold)

TARA

33 500 882

Product version from 4/1/2024

Parts for other finishes can be found here: [Chrome](#)





TARA Single-lever basin mixer with pop-up waste - Brushed Champagne (22kt Gold)

TARA

33 500 882

Spare parts list

Product version from 4/1/2024

No.	Item Number	Name	Quantity used	Delivery time
	90 28 22 371 01-46	spout	16	30