

33 501 660



- 125mm projection
- 1 1/4" pop-up waste
- fixed spout
- circular, air-enriched flow
- height of mixer 133 mm
- height up to aerator 52 mm
- hole diameter 35 mm
- 2x screw-in M 8 x 1 pressure hose, leak-tested
- 2 x pressure hose with 3/8" cap nut
- max. flow 4.5 l/min
- lead-free
- This product can help a building meet the requirements of Green Building Rating Systems, e.g. LEED®, BREEAM®, DGNB

Only suitable for basins with an overflow.

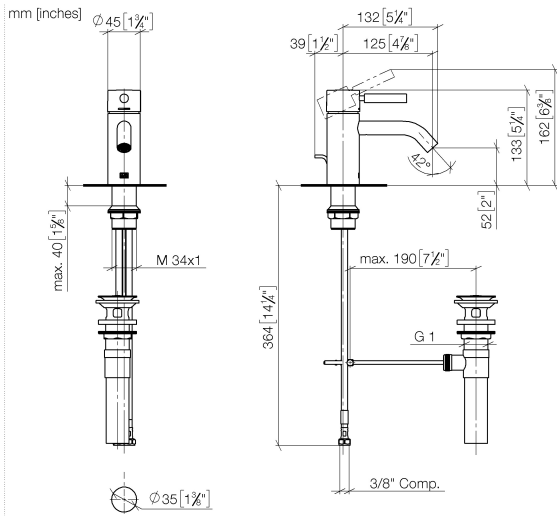
| | | |
|--|-------------------------------|--------------------|
|  | Dark Chrome | 33 501 660-19 0010 |
|  | Chrome | 33 501 660-00 0010 |
|  | Brushed Platinum | 33 501 660-06 0010 |
|  | Light Gold | 33 501 660-26 0010 |
|  | Brushed Light Gold | 33 501 660-27 0010 |
|  | Matte Black | 33 501 660-33 0010 |
|  | Brushed Bronze | 33 501 660-42 0010 |
|  | Brushed Champagne (22kt Gold) | 33 501 660-46 0010 |
|  | Champagne (22kt Gold) | 33 501 660-47 0010 |
|  | Brushed Chrome | 33 501 660-93 0010 |
|  | Brushed Dark Platinum | 33 501 660-99 0010 |



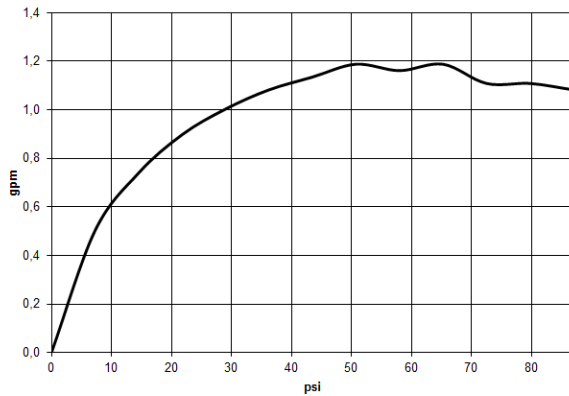
META Single-lever basin mixer with pop-up waste - Dark Chrome

META

33 501 660



Flow rate chart



Codes & Standards

| | | | |
|--------------------|---------------------------------|--|--------------|
| ADA | ASME A112.18.1/CSA B125.1 | California Energy Commission (CEC) | NSF/ANSI 372 |
| NSF/ANSI/CAN 61 | NSF372 | NSF61 | |



META Single-lever basin mixer with pop-up waste - Dark Chrome

META

33 501 660

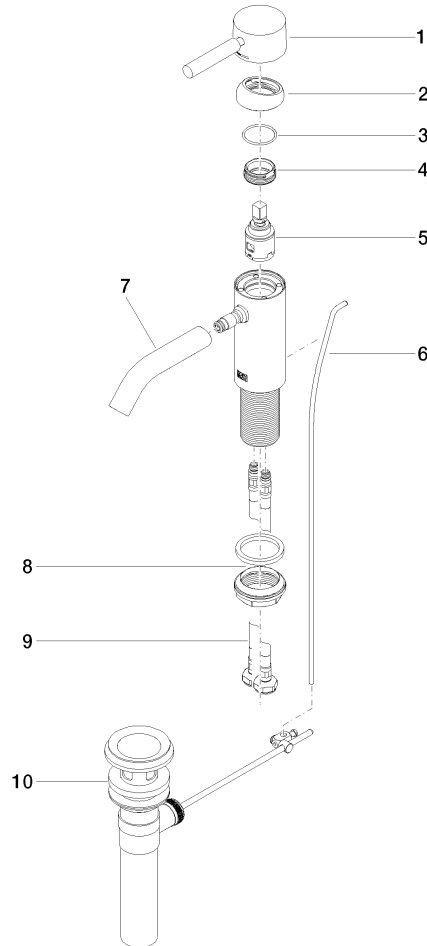
Certificates

IAPMO_6397

IAPMO_N-4976

33 501 660

Parts for other finishes can be found here: [Chrome](#)





33 501 660

Spare parts list