

33 501 660



- 125mm projection
- 1 1/4" pop-up waste
- fixed spout
- circular, air-enriched flow
- height of mixer 133 mm
- height up to aerator 52 mm
- hole diameter 35 mm
- 2x screw-in M 8 x 1 pressure hose, leak-tested
- 2 x pressure hose with 3/8" cap nut
- max. flow 4.5 l/min
- lead-free
- This product can help a building meet the requirements of Green Building Rating Systems, e.g. LEED®, BREEAM®, DGNB

Only suitable for basins with an overflow.

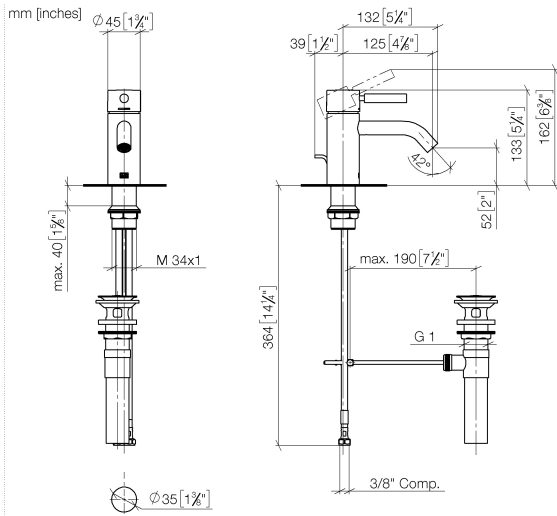
|  |                               |                    |
|--|-------------------------------|--------------------|
|    | Light Gold                    | 33 501 660-26 0010 |
|    | Chrome                        | 33 501 660-00 0010 |
|    | Brushed Platinum              | 33 501 660-06 0010 |
|    | Dark Chrome                   | 33 501 660-19 0010 |
|    | Brushed Light Gold            | 33 501 660-27 0010 |
|    | Matte Black                   | 33 501 660-33 0010 |
|    | Brushed Bronze                | 33 501 660-42 0010 |
|    | Brushed Champagne (22kt Gold) | 33 501 660-46 0010 |
|    | Champagne (22kt Gold)         | 33 501 660-47 0010 |
|   | Brushed Chrome                | 33 501 660-93 0010 |
|  | Brushed Dark Platinum         | 33 501 660-99 0010 |



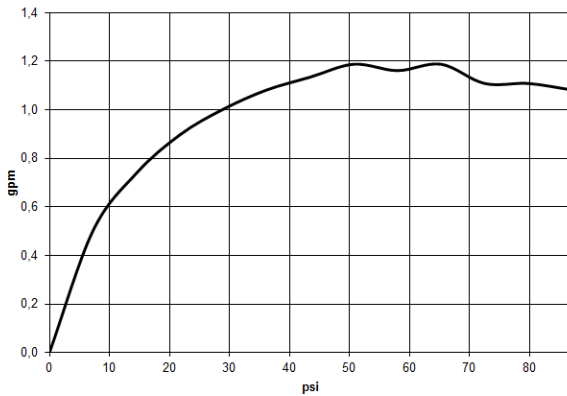
**META Single-lever basin mixer with pop-up waste - Light Gold**

META

33 501 660



**Flow rate chart**



**Codes & Standards**

|                    |                                 |  |              |
|--------------------|---------------------------------|--|--------------|
| ADA                | ASME<br>A112.18.1/CSA<br>B125.1 | California Energy<br>Commission<br>(CEC) | NSF/ANSI 372 |
| NSF/ANSI/CAN<br>61 | NSF372                          | NSF61                                    |              |



## META Single-lever basin mixer with pop-up waste - Light Gold

---

META

33 501 660

### Certificates

---

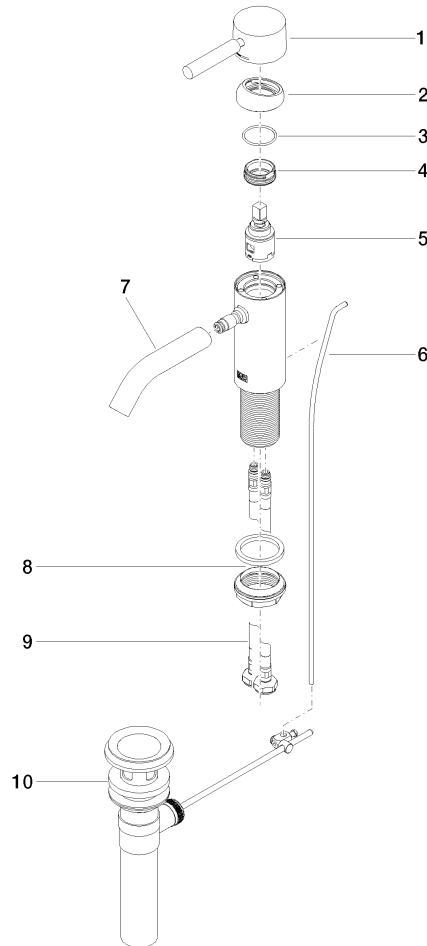
IAPMO\_6397

IAPMO\_N-4976

33 501 660

**Product version from 1/23/2020**

Parts for other finishes can be found here: Chrome





33 501 660

## **Spare parts list**

**Product version from 1/23/2020**