

**META Single-lever basin mixer with pop-up waste - Brushed Champagne (22kt Gold)**

META

33 501 660



- 125mm projection
- 1 1/4" pop-up waste
- fixed spout
- circular, air-enriched flow
- height of mixer 133 mm
- height up to aerator 52 mm
- hole diameter 35 mm
- 2x screw-in M 8 x 1 pressure hose, leak-tested
- 2 x pressure hose with 3/8" cap nut
- max. flow 4.5 l/min
- lead-free
- This product can help a building meet the requirements of Green Building Rating Systems, e.g. LEED®, BREEAM®, DGNB

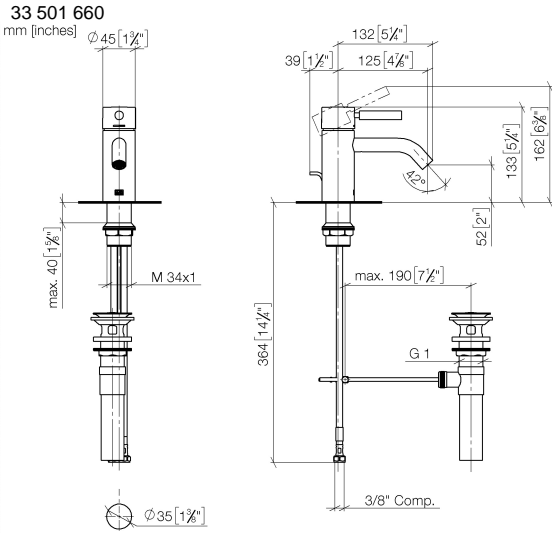
Only suitable for basins with an overflow.

	Brushed Champagne (22kt Gold)	33 501 660-46 0010
	Chrome	33 501 660-00 0010
	Brushed Platinum	33 501 660-06 0010
	Dark Chrome	33 501 660-19 0010
	Light Gold	33 501 660-26 0010
	Brushed Light Gold	33 501 660-27 0010
	Matte Black	33 501 660-33 0010
	Brushed Bronze	33 501 660-42 0010
	Champagne (22kt Gold)	33 501 660-47 0010
	Brushed Chrome	33 501 660-93 0010
	Brushed Dark Platinum	33 501 660-99 0010

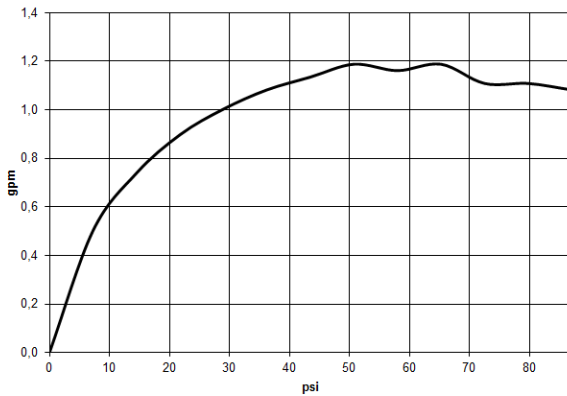


**META Single-lever basin mixer with pop-up waste - Brushed Champagne (22kt Gold)**

META



**Flow rate chart**



**Codes & Standards**

ADA	ASME A112.18.1/CSA B125.1	California Energy Commission (CEC)	NSF/ANSI 372
NSF/ANSI/CAN 61	NSF372	NSF61	



META Single-lever basin mixer with pop-up waste - Brushed Champagne (22kt Gold)

META

---

33 501 660  
Certificates

---

IAPMO\_6397

IAPMO\_N-4976



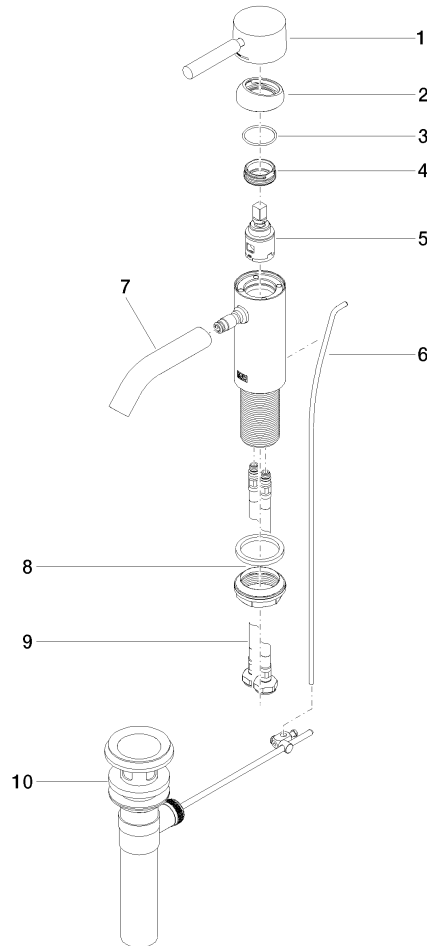
# META Single-lever basin mixer with pop-up waste - Brushed Champagne (22kt Gold)

META

33 501 660

**Product version from 1/23/2020**

Parts for other finishes can be found here: [Chrome](#)





META Single-lever basin mixer with pop-up waste - Brushed Champagne (22kt Gold)

---

META

33 501 660

## **Spare parts list**

**Product version from 1/23/2020**