

33 502 660

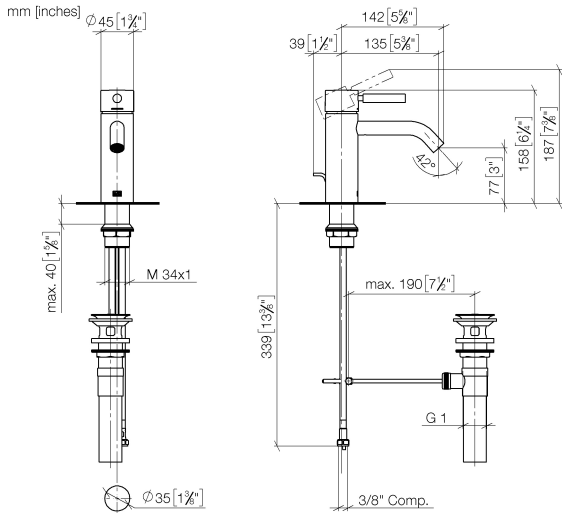


- 135mm projection
- 1 1/4" pop-up waste
- fixed spout
- circular, air-enriched flow
- height of mixer 158 mm
- height up to aerator 77 mm
- hole diameter 35 mm
- 2 x pressure hose with 3/8" cap nut
- max. flow 4.5 l/min
- lead-free
- This product can help a building meet the requirements of Green Building Rating Systems, e.g. LEED®, BREEAM®, DGNB

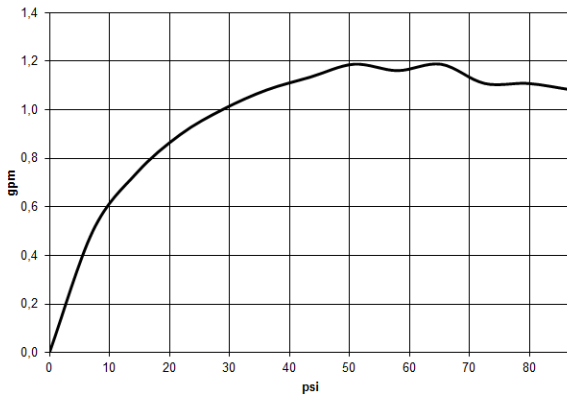
Only suitable for basins with an overflow.

	Light Gold	33 502 660-26 0010
	Chrome	33 502 660-00 0010
	Brushed Platinum	33 502 660-06 0010
	Dark Chrome	33 502 660-19 0010
	Brushed Light Gold	33 502 660-27 0010
	Matte Black	33 502 660-33 0010
	Brushed Bronze	33 502 660-42 0010
	Brushed Champagne (22kt Gold)	33 502 660-46 0010
	Champagne (22kt Gold)	33 502 660-47 0010
	Brushed Chrome	33 502 660-93 0010
	Brushed Dark Platinum	33 502 660-99 0010

33 502 660



Flow rate chart



Codes & Standards

ADA	ASME A112.18.1/CSA B125.1	California Energy Commission (CEC)	NSF/ANSI 372
NSF/ANSI/CAN 61	NSF372	NSF61	



META Single-lever basin mixer with pop-up waste - Light Gold

META

33 502 660

Certificates

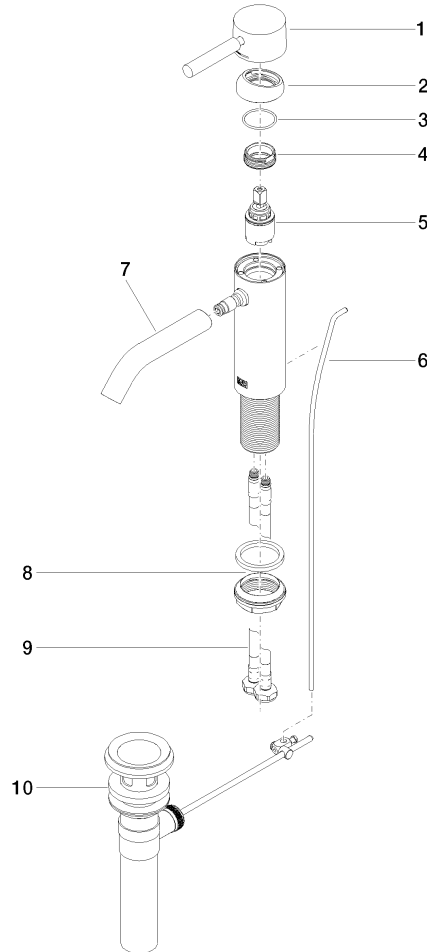
IAPMO_6397

IAPMO_N-4976

33 502 660

Product version from 1/23/2020

Parts for other finishes can be found here: Chrome





META Single-lever basin mixer with pop-up waste - Light Gold

META

33 502 660

Spare parts list

Product version from 1/23/2020

No.	Item Number	Name	Quantity used	Delivery time
	90 20 66 002 00-26	handle	11	30