

33 502 782

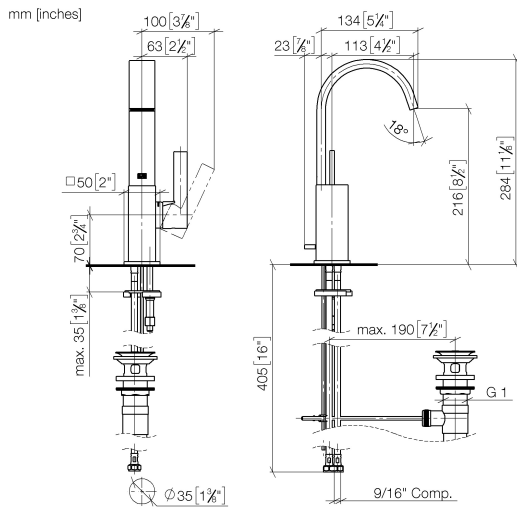


- 113mm projection
- 1 1/4" pop-up waste
- fixed spout
- rectangular, air-enriched flow
- height of mixer 284 mm
- height up to aerator 216 mm
- hole diameter 35 mm
- 2x screw-in M 10 x 1 pressure hose, leak-tested
- 2x US pressure hose, 3/8"
- max. flow 4.5 l/min
- lead-free
- This product can help a building meet the requirements of Green Building Rating Systems, e.g. LEED®, BREEAM®, DGNB

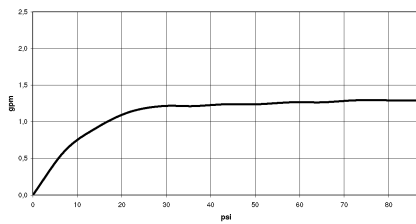
Only suitable for basins with an overflow.

|   |                                |                    |
|---|--------------------------------|--------------------|
|  | Champagne (22kt Gold)          | 33 502 782-47 0010 |
|  | Chrome                         | 33 502 782-00 0010 |
|  | Brushed Platinum               | 33 502 782-06 0010 |
|  | Platinum                       | 33 502 782-08 0010 |
|  | Dark Chrome                    | 33 502 782-19 0010 |
|  | Brushed Durabronze (23kt Gold) | 33 502 782-28 0010 |
|  | Brushed Champagne (22kt Gold)  | 33 502 782-46 0010 |
|  | Brushed Dark Platinum          | 33 502 782-99 0010 |

33 502 782



**Flow rate chart**

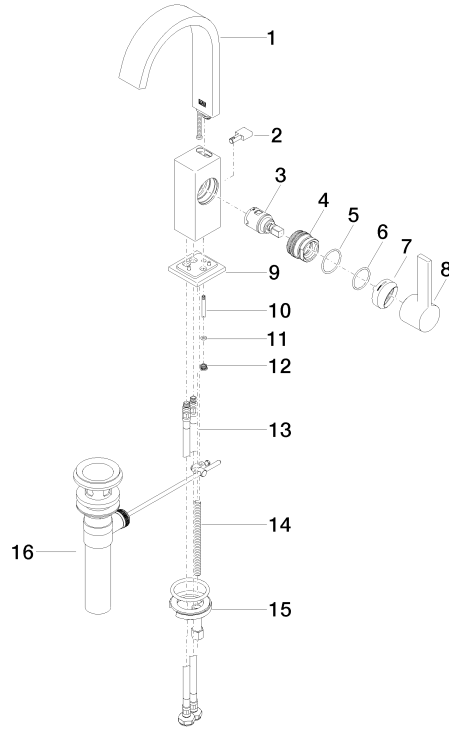


**Codes & Standards**

California Energy  
Commission  
(CEC)

33 502 782

Parts for other finishes can be found here: [Chrome](#)



**Spare parts list**

| No. | Item Number        | Name                      | Quantity used | Delivery time |
|-----|--------------------|---------------------------|---------------|---------------|
| 1   | 90 28 22 366 10-47 | spout                     | 1             | 30            |
| 2   | 09 20 78 032-47    | handle                    | 1             | 60            |
| 3   | 90 15 05 042 00 90 | cartridge                 | 1             | 2             |
| 4   | 09 24 04 288 90    | nut                       | 1             | 2             |
| 5   | 09 14 10 137 90    | seal                      | 1             | 2             |
| 6   | 90 14 10 063 00 90 | seal                      | 1             | 2             |
| 7   | 90 28 30 051 00-47 | cover                     | 1             | 30            |
| 8   | 90 20 86 004 00-47 | handle                    | 1             | 30            |
| 9   | 90 27 66 021 00-47 | rosette                   | 1             | 30            |
| 10  | 09 31 09 080-47    | pull-rod                  | 1             | 30            |
| 11  | 09 14 10 166 90    | seal                      | 1             | 2             |
| 12  | 09 24 04 290 90    | nipple                    | 1             | 2             |
| 13  | 04 30 04 102 00 90 | High pressure hose 3/8" - | 2             | 2             |
| 14  | 09 31 11 012 90    | pin                       | 1             | 2             |
| 15  | 04 30 11 038 00 90 | fixing set                | 1             | 2             |
| 16  | 90 11 01 023 00-47 | pop-up waste              | 1             | 30            |