

META Single-lever basin mixer with pop-up waste - Light Gold

33 504 660 Product version from 5/1/2022



- 125mm projection
- With linear texture
- fixed spout
- circular, air-enriched flow
- height of mixer 135 mm
- height up to aerator 52 mm
- hole diameter 35 mm
- 2x screw-in M 8 x 1 pressure hose, leak-tested
- max. flow 4.5 l/min
- lead-free
- This product can help a building meet the requirements of Green Building Rating Systems, e.g. LEED®, BREEAM®, DGNB

Only suitable for basins with an overflow.

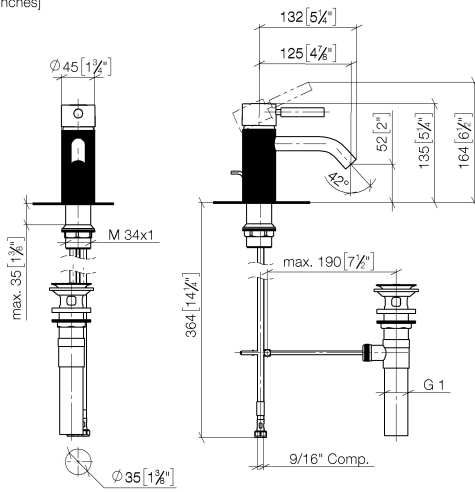
	Light Gold	33 504 660-26 0010
	Chrome	33 504 660-00 0010
	Brushed Platinum	33 504 660-06 0010
	Brushed Light Gold	33 504 660-27 0010
	Matte Black	33 504 660-33 0010
	Brushed Bronze	33 504 660-42 0010
	Brushed Champagne (22kt Gold)	33 504 660-46 0010
	Champagne (22kt Gold)	33 504 660-47 0010
	Brushed Chrome	33 504 660-93 0010
	Brushed Dark Platinum	33 504 660-99 0010



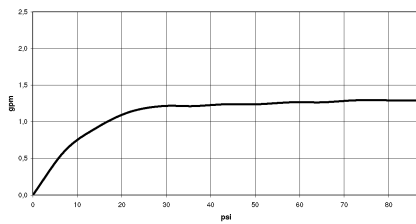
META Single-lever basin mixer with pop-up waste - Light Gold

33 504 660 Product version from 5/1/2022

mm [inches]



Flow rate chart



Codes & Standards

California Energy
Commission
(CEC)

NSF372

NSF61



META Single-lever basin mixer with pop-up waste - Light Gold

33 504 660 Product version from 5/1/2022

Certificates

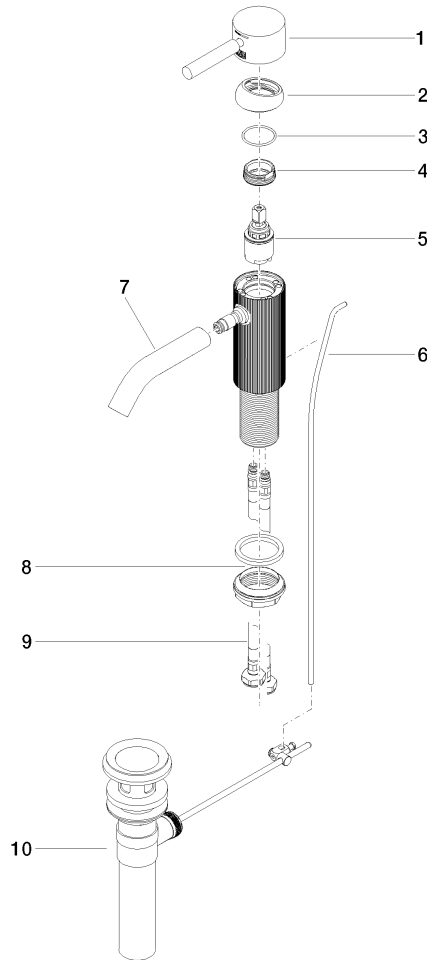
IAPMO_N-4976

IAPMO_6397

META Single-lever basin mixer with pop-up waste - Light Gold

33 504 660 Product version from 5/1/2022

Parts for other finishes can be found here: [Chrome](#)



Spare parts list

No.	Item Number	Name	Quantity used	Delivery time
1	90 20 66 029 00-26	handle	1	30
2	09 28 30 041-26	cover	1	60
3	09 14 10 091 90	seal	1	2
4	09 24 04 266 90	nut	1	2
5	90 15 05 044 00 90	cartridge	1	2
6	09 31 09 110-26	pull-rod	1	60
7	90 11 06 206 01-26	spout	1	30
8	04 23 10 044 07 90	fixing set	1	2
9	04 30 04 102 00 90	High pressure hose 3/8" -	2	2
10	90 11 01 023 00-26	pop-up waste	1	30