

META Single-lever basin mixer with pop-up waste - Brushed Platinum

33 505 660 Product version from 5/1/2022



- 125mm projection
- With faceted texture
- fixed spout
- circular, air-enriched flow
- height of mixer 135 mm
- height up to aerator 52 mm
- hole diameter 35 mm
- 2x screw-in M 8 x 1 pressure hose, leak-tested
- max. flow 4.5 l/min
- lead-free
- This product can help a building meet the requirements of Green Building Rating Systems, e.g. LEED®, BREEAM®, DGNB

Only suitable for basins with an overflow.

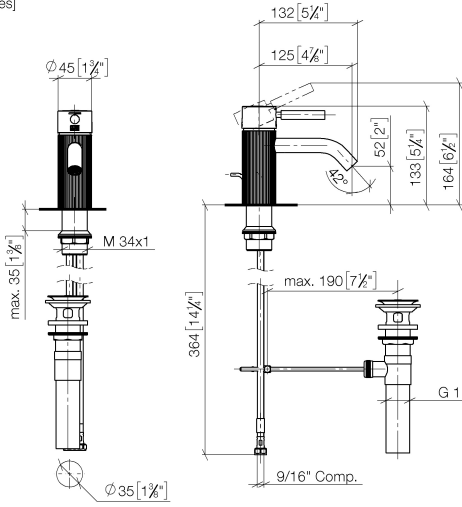
	Brushed Platinum	33 505 660-06 0010
	Chrome	33 505 660-00 0010
	Dark Chrome	33 505 660-19 0010
	Light Gold	33 505 660-26 0010
	Brushed Light Gold	33 505 660-27 0010
	Matte Black	33 505 660-33 0010
	Brushed Bronze	33 505 660-42 0010
	Brushed Champagne (22kt Gold)	33 505 660-46 0010
	Champagne (22kt Gold)	33 505 660-47 0010
	Brushed Chrome	33 505 660-93 0010
	Brushed Dark Platinum	33 505 660-99 0010



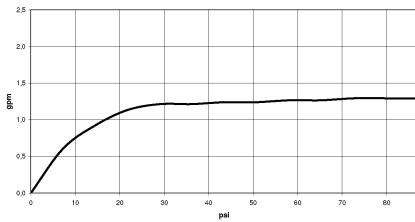
META Single-lever basin mixer with pop-up waste - Brushed Platinum

33 505 660 Product version from 5/1/2022

mm [inches]



Flow rate chart



Codes & Standards

ASME A112.18.1	California Energy Commission (CEC)	cUPC	EPA WaterSense
NSF372	NSF61	Water Sense	WaterSense





META Single-lever basin mixer with pop-up waste - Brushed Platinum

33 505 660 Product version from 5/1/2022

Certificates

IAPMO_8834

IAPMO_N-4976

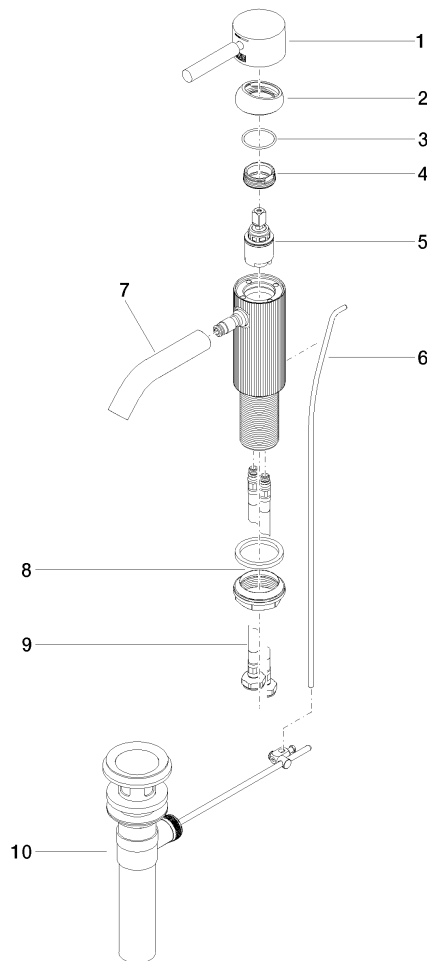
IAPMO_6397

IAPMO_4976 (

META Single-lever basin mixer with pop-up waste - Brushed Platinum

33 505 660 Product version from 5/1/2022

Parts for other finishes can be found here: [Chrome](#)



Spare parts list

No.	Item Number	Name	Quantity used	Delivery time
1	90 20 66 029 00-06	handle	1	10
2	09 28 30 041-06	cover	1	10
3	09 14 10 091 90	seal	1	2
4	09 24 04 266 90	nut	1	2
5	90 15 05 044 00 90	cartridge	1	2
6	09 31 09 110-06	pull-rod	1	10
7	90 11 06 206 01-06	spout	1	10
8	04 23 10 044 07 90	fixing set	1	2
9	04 30 04 102 00 90	High pressure hose 3/8" -	2	2
10	90 11 01 023 00-06	pop-up waste	1	10