

**IMO Single-lever basin mixer with pop-up waste - Brushed Durabronz (23kt Gold)**



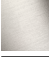


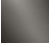
IMO

33 507 670



- 105mm projection
- 1 1/4" pop-up waste
- fixed spout
- rectangular, air-enriched flow
- height of mixer 149 mm
- height up to aerator 80 mm
- hole diameter 35 mm
- rosette Ø 52 mm optional
- progressive cartridge
- 2 x pressure hose with 3/8" cap nut
- max. flow 4.5 l/min
- lead-free
- This product can help a building meet the requirements of Green Building Rating Systems, e.g. LEED®, BREEAM®, DGNB

Only suitable for basins with an overflow.

	Brushed Durabronz (23kt Gold)	33 507 670-28 0010
	Chrome	33 507 670-00 0010
	Brushed Platinum	33 507 670-06 0010
	Platinum	33 507 670-08 0010
	Brushed Chrome	33 507 670-93 0010
	Brushed Dark Platinum	33 507 670-99 0010

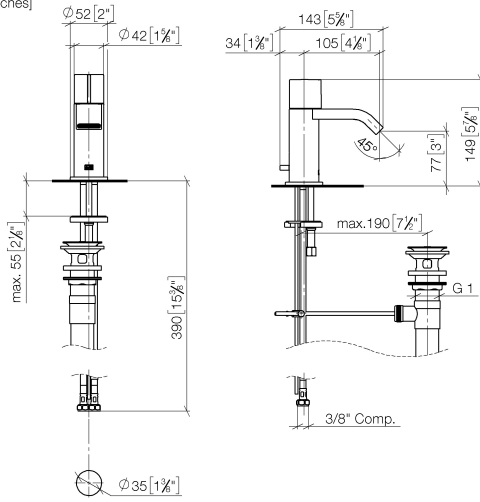


IMO Single-lever basin mixer with pop-up waste - Brushed Durabronz (23kt Gold)

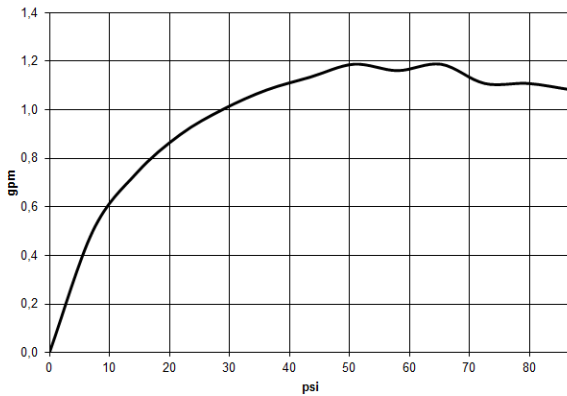
IMO

33 507 670

mm [inches]



Flow rate chart



Codes & Standards

ASME  
A112.18.1/CSA  
B125.1  
NSF372

California Energy  
Commission  
(CEC)  
NSF61

NSF/ANSI 372

NSF/ANSI/CAN  
61



IMO Single-lever basin mixer with pop-up waste - Brushed Durabronz (23kt Gold)

---

IMO

33 507 670  
Certificates

---

IAPMO\_6397

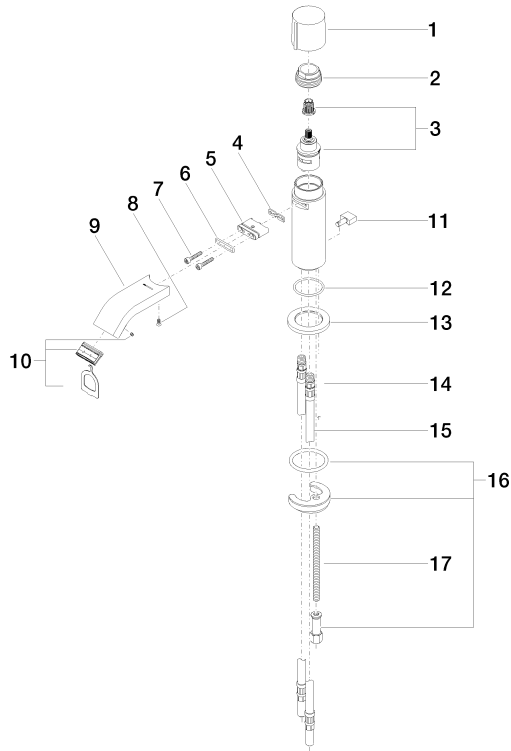
IAPMO\_N-4976

33 507 670

Product version up to 5/10/2021

**Product version from 5/10/2021**

Parts for other finishes can be found here: [Chrome](#)



18 Revisiões 04.11.01.023.00-0



IMO Single-lever basin mixer with pop-up waste - Brushed Durabronze (23kt Gold)

IMO

33 507 670

Spare parts list

Product version up to 5/10/2021

**Product version from 5/10/2021**

No.	Item Number	Name	Quantity used	Delivery time
	09 20 67 001-28	handle	20	20