




33 521 670



- 130mm projection
- fixed spout
- rectangular, air-enriched flow
- height of mixer 154 mm
- height up to aerator 80 mm
- hole diameter 35 mm
- 2 x pressure hose with 3/8" cap nut
- max. flow 4.5 l/min
- lead-free
- This product can help a building meet the requirements of Green Building Rating Systems, e.g. LEED®, BREEAM®, DGNB

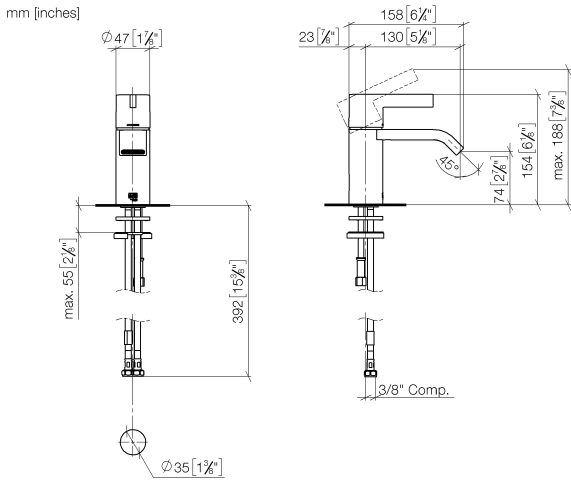
	Brushed Platinum	33 521 670-06 0010
	Chrome	33 521 670-00 0010
	Brushed Chrome	33 521 670-93 0010



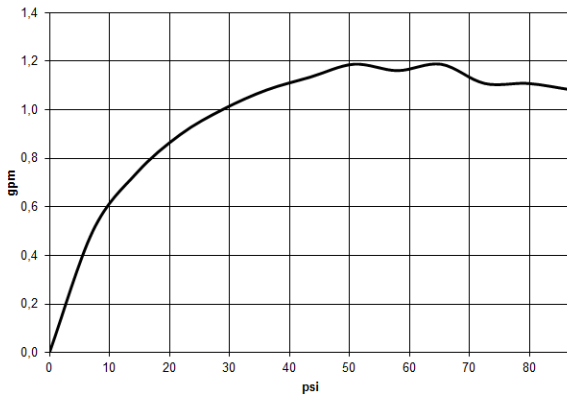
IMO Single-lever basin mixer without pop-up waste - Brushed Platinum

IMO

33 521 670



Flow rate chart



Codes & Standards

ADA	ASME A112.18.1	ASME A112.18.1/CSA B125.1	California Energy Commission (CEC)
cUPC	EPA WaterSense	NSF/ANSI 372	NSF/ANSI/CAN 61
NSF372	NSF61	Water Sense	WaterSense



IMO Single-lever basin mixer without pop-up waste - Brushed Platinum

IMO

33 521 670

Certificates

IAPMO\_4976

IAPMO\_8834

IAPMO\_6397

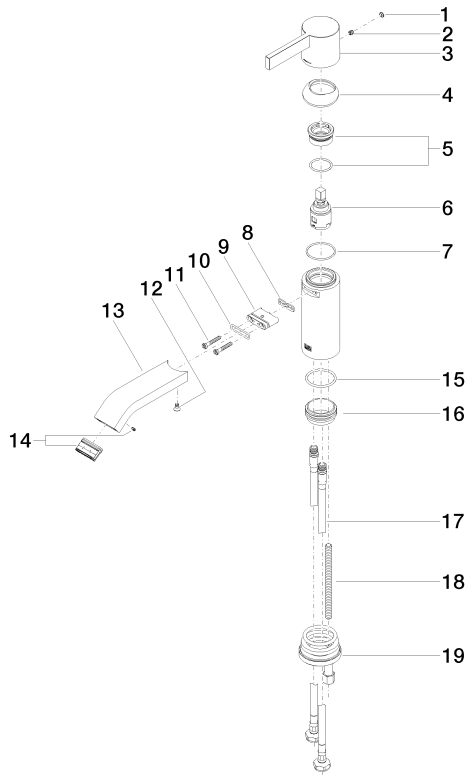
IAPMO\_N-4976

33 521 670

Product version up to 10/10/2018

Product version from 10/10/2018 to 5/10/2021

**Product version from 5/10/2021**





# IMO Single-lever basin mixer without pop-up waste - Brushed Platinum

IMO

33 521 670

## Spare parts list

Product version up to 10/10/2018

Product version from 10/10/2018 to 5/10/2021

### Product version from 5/10/2021

No.	Item Number	Name	Quantity used	Delivery time
	90 31 20 087 00-06	plug	21	10