






33 521 811



- 143mm projection
- fixed spout
- rectangular, air-enriched flow
- height of mixer 180 mm
- height up to aerator 128 mm
- hole diameter 35 mm
- max. flow 4.5 l/min
- 2 x pressure hose with 3/8" cap nut
- lead-free
- This product can help a building meet the requirements of Green Building Rating Systems, e.g. LEED®, BREEAM®, DGNB

Only suitable for basins with an overflow.

Distance from centre of tap hole to wall min. 55 mm
or to front edge of basin min. 40 mm.

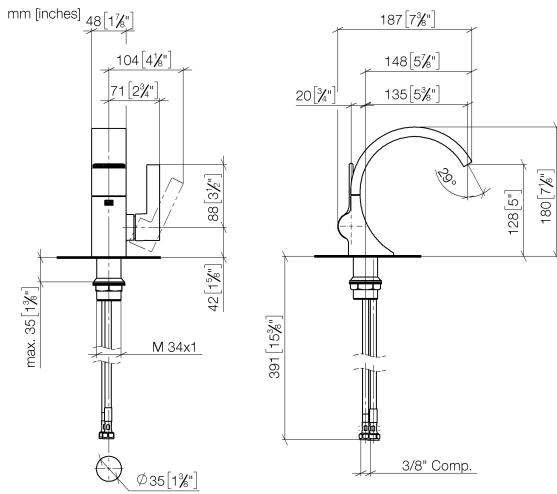
	Chrome	33 521 811-00 0010
	Brushed Platinum	33 521 811-06 0010
	Dark Chrome	33 521 811-19 0010
	Brushed Durabross (23kt Gold)	33 521 811-28 0010
	Brushed Dark Platinum	33 521 811-99 0010



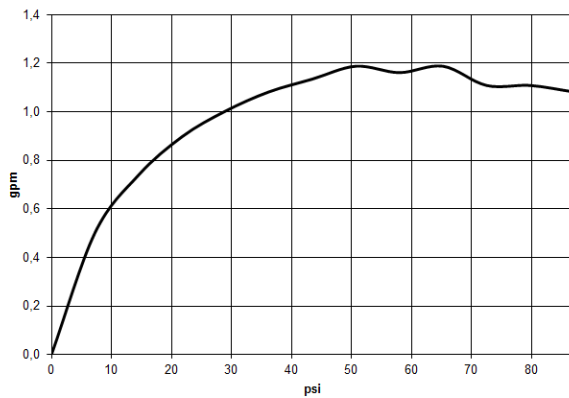
CYO Single-lever basin mixer without pop-up waste - Chrome

CYO

33 521 811



Flow rate chart



Codes & Standards

ASME A112.18.1	California Energy Commission (CEC)	cUPC	EPA WaterSense
NSF372	NSF61	Water Sense	WaterSense



CYO Single-lever basin mixer without pop-up waste - Chrome

CYO

33 521 811

Certificates

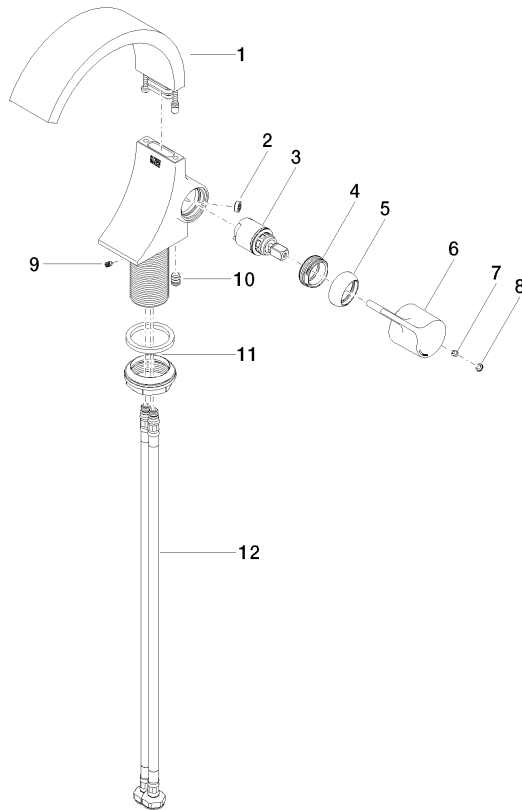
IAPMO_8834

IAPMO_6397

IAPMO_4976

IAPMO_N-4976

33 521 811





CYO Single-lever basin mixer without pop-up waste - Chrome

CYO

33 521 811

Spare parts list

No.	Item Number	Name	Quantity used	Delivery time
	90 11 70 012 01-00	spout	13	10