

CYO Single-lever basin mixer without pop-up waste - Brushed Durabross (23kt Gold)

CYO






33 521 811



- 143mm projection
- fixed spout
- rectangular, air-enriched flow
- height of mixer 180 mm
- height up to aerator 128 mm
- hole diameter 35 mm
- max. flow 4.5 l/min
- 2 x pressure hose with 3/8" cap nut
- lead-free
- This product can help a building meet the requirements of Green Building Rating Systems, e.g. LEED®, BREEAM®, DGNB

Only suitable for basins with an overflow.

Distance from centre of tap hole to wall min. 55 mm
or to front edge of basin min. 40 mm.

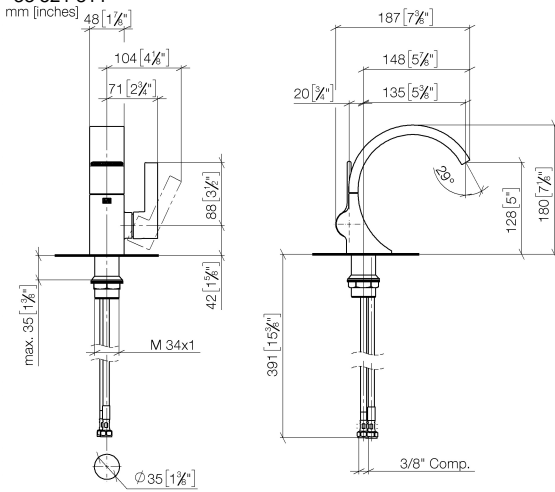
	Brushed Durabross (23kt Gold)	33 521 811-28 0010
	Chrome	33 521 811-00 0010
	Brushed Platinum	33 521 811-06 0010
	Dark Chrome	33 521 811-19 0010
	Brushed Dark Platinum	33 521 811-99 0010



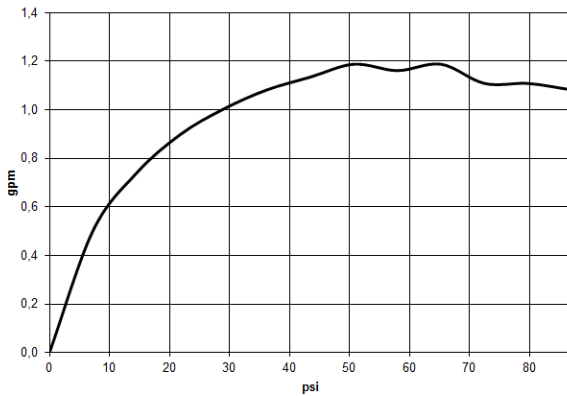
CYO Single-lever basin mixer without pop-up waste - Brushed Durabronz (23kt Gold)

CYO

33 521 811



Flow rate chart



Codes & Standards

California Energy Commission (CEC)

NSF372

NSF61



CYO Single-lever basin mixer without pop-up waste - Brushed Durabross (23kt Gold)

CYO

33 521 811
Certificates

IAPMO_6397

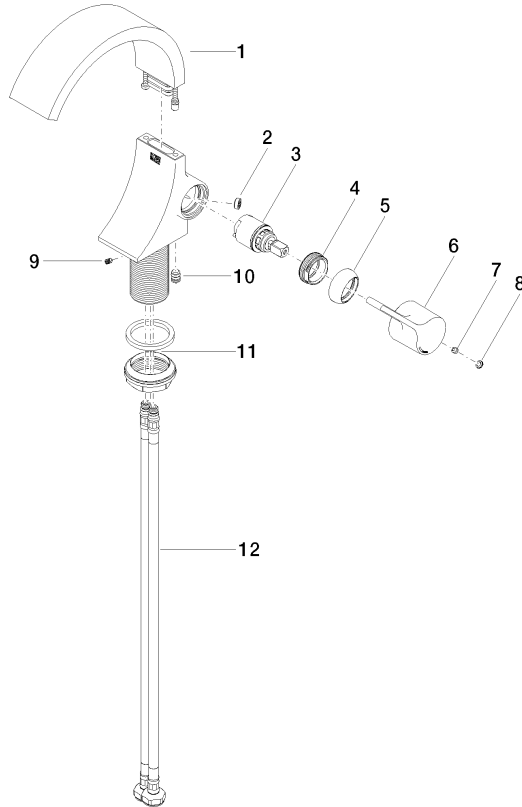
IAPMO_N-4976



CYO Single-lever basin mixer without pop-up waste - Brushed Durabronz (23kt Gold)

CYO

33 521 811





CYO Single-lever basin mixer without pop-up waste - Brushed Durabross (23kt Gold)

CYO

33 521 811

Spare parts list

No.	Item Number	Name	Quantity used	Delivery time
	90 11 70 012 01-28	spout	13	20