



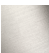



**LISSÉ Single-lever basin mixer without pop-up waste - Dark Chrome**

LISSÉ

33 521 845



- 130mm projection
- fixed spout
- circular, air-enriched flow
- height of mixer 127 mm
- height up to aerator 75 mm
- hole diameter 35 mm
- 2 x pressure hose with 3/8" cap nut
- max. flow 4.5 l/min
- lead-free
- This product can help a building meet the requirements of Green Building Rating Systems, e.g. LEED®, BREEAM®, DGNB

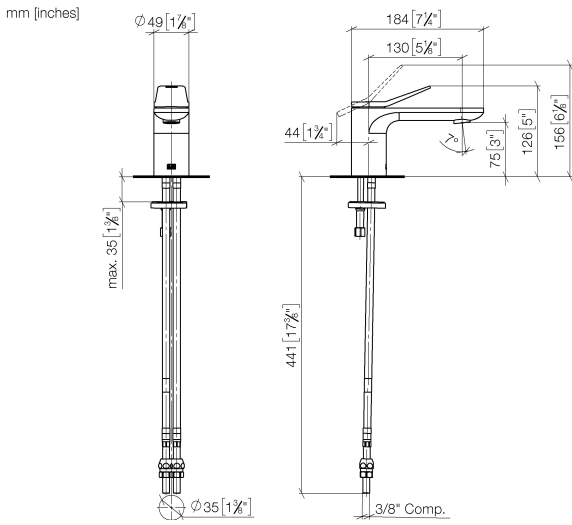
	Dark Chrome	33 521 845-19 0010
	Chrome	33 521 845-00 0010
	Brushed Platinum	33 521 845-06 0010
	Matte Black	33 521 845-33 0010
	Brushed Chrome	33 521 845-93 0010
	Brushed Dark Platinum	33 521 845-99 0010



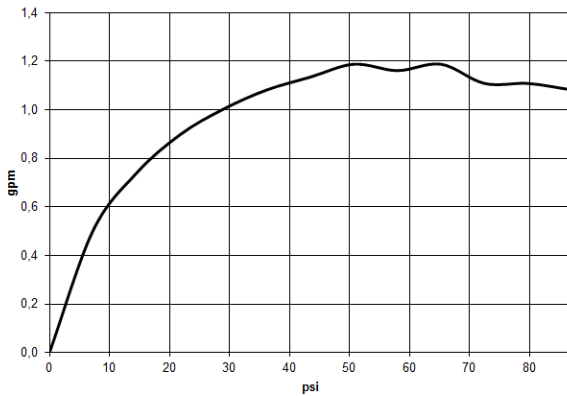
LISSÉ Single-lever basin mixer without pop-up waste - Dark Chrome

LISSÉ

33 521 845



Flow rate chart



Codes & Standards

ADA	ASME A112.18.1/CSA B125.1	California Energy Commission (CEC)	NSF/ANSI 372
NSF/ANSI/CAN 61	NSF372	NSF61	



## LISSÉ Single-lever basin mixer without pop-up waste - Dark Chrome

---

LISSÉ

33 521 845

### Certificates

---

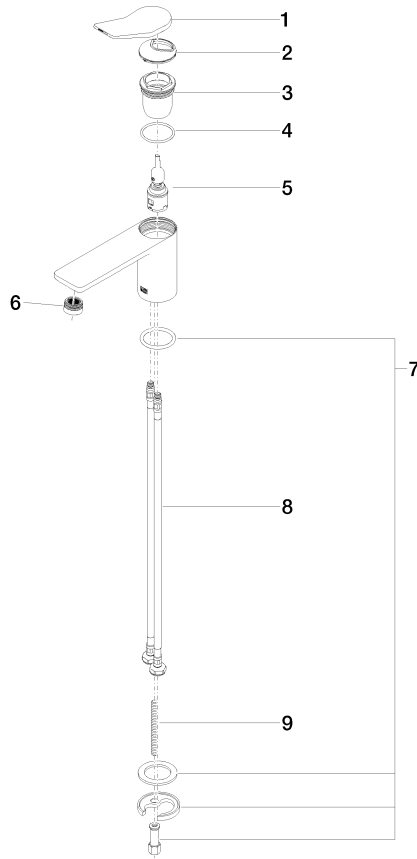
IAPMO\_6397

IAPMO\_N-4976

33 521 845

**Product version from 5/3/2021**

Parts for other finishes can be found here: [Chrome](#)





# LISSÉ Single-lever basin mixer without pop-up waste - Dark Chrome

LISSÉ

33 521 845

## Spare parts list

### Product version from 5/3/2021

No.	Item Number	Name	Quantity used	Delivery time
	90 20 84 020 00-19	handle	10	20