

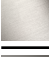





33 521 845



- 130mm projection
- fixed spout
- circular, air-enriched flow
- height of mixer 127 mm
- height up to aerator 75 mm
- hole diameter 35 mm
- 2 x pressure hose with 3/8" cap nut
- max. flow 4.5 l/min
- lead-free
- This product can help a building meet the requirements of Green Building Rating Systems, e.g. LEED®, BREEAM®, DGNB

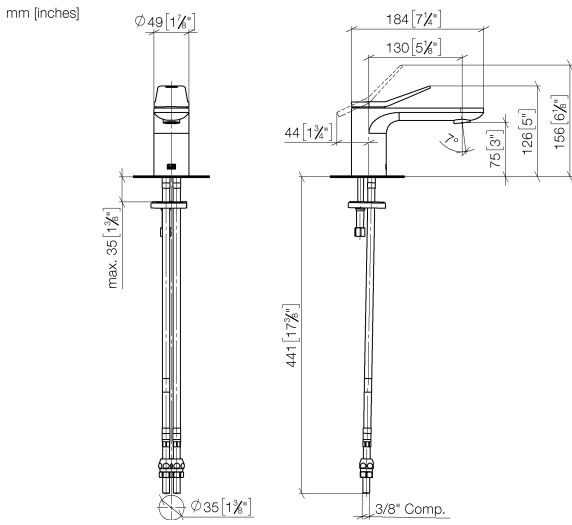
| | | |
|--|-----------------------|--------------------|
|  | Brushed Dark Platinum | 33 521 845-99 0010 |
|  | Chrome | 33 521 845-00 0010 |
|  | Brushed Platinum | 33 521 845-06 0010 |
|  | Dark Chrome | 33 521 845-19 0010 |
|  | Matte Black | 33 521 845-33 0010 |
|  | Brushed Chrome | 33 521 845-93 0010 |



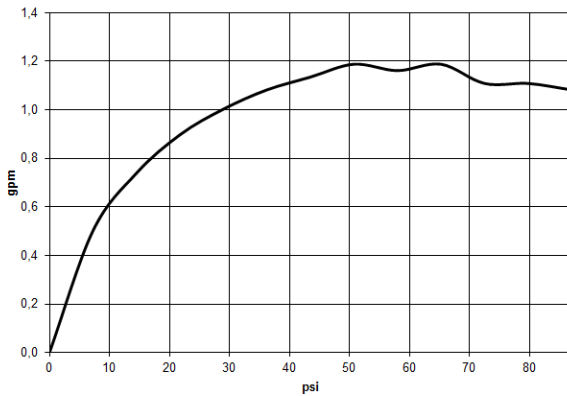
LISSÉ Single-lever basin mixer without pop-up waste - Brushed Dark Platinum

LISSÉ

33 521 845



Flow rate chart



Codes & Standards

| | | | |
|--------------|---------------------------------|--|----------------|
| ADA | ASME A112.18.1/CSA B125.1 | California Energy Commission (CEC) | EPA WaterSense |
| NSF/ANSI 372 | NSF/ANSI/CAN 61 | NSF372 | NSF61 |
| Water Sense | WaterSense | | |



LISSÉ Single-lever basin mixer without pop-up waste - Brushed Dark Platinum

LISSÉ

33 521 845

Certificates

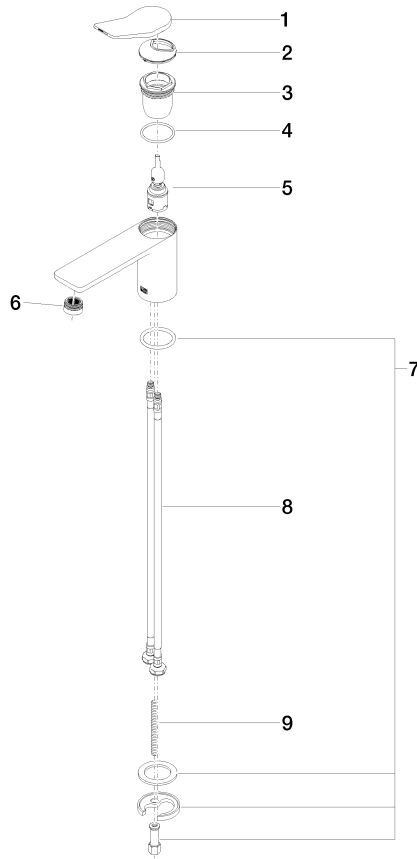
IAPMO_8834

IAPMO_6397

IAPMO_N-4976

33 521 845

Product version from 5/3/2021





LISSÉ Single-lever basin mixer without pop-up waste - Brushed Dark Platinum

LISSÉ

33 521 845

Spare parts list

Product version from 5/3/2021

| No. | Item Number | Name | Quantity used | Delivery time |
|-----|--------------------|--------|---------------|---------------|
| | 90 20 84 020 00-99 | handle | 10 | 30 |