

33 522 660



- 135mm projection
- fixed spout
- circular, air-enriched flow
- height of mixer 158 mm
- height up to aerator 77 mm
- hole diameter 35 mm
- 2 x pressure hose with 3/8" cap nut
- max. flow 4.5 l/min
- lead-free
- This product can help a building meet the requirements of Green Building Rating Systems, e.g. LEED®, BREEAM®, DGNB

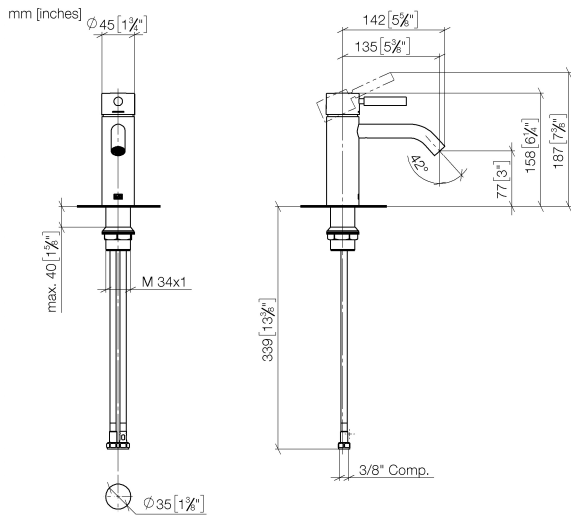
	Brushed Platinum	33 522 660-06 0010
	Chrome	33 522 660-00 0010
	Dark Chrome	33 522 660-19 0010
	Light Gold	33 522 660-26 0010
	Brushed Light Gold	33 522 660-27 0010
	Matte Black	33 522 660-33 0010
	Brushed Bronze	33 522 660-42 0010
	Brushed Champagne (22kt Gold)	33 522 660-46 0010
	Champagne (22kt Gold)	33 522 660-47 0010
	Brushed Chrome	33 522 660-93 0010
	Brushed Dark Platinum	33 522 660-99 0010



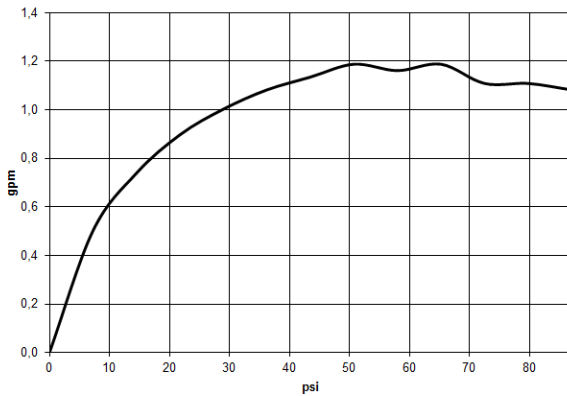
**META Single-lever basin mixer without pop-up waste - Brushed Platinum**

META

33 522 660



**Flow rate chart**



**Codes & Standards**

ADA	ASME A112.18.1	ASME A112.18.1/CSA B125.1	California Energy Commission (CEC)
cUPC	EPA WaterSense	NSF/ANSI 372	NSF/ANSI/CAN 61
NSF372	NSF61	Water Sense	WaterSense



# META Single-lever basin mixer without pop-up waste - Brushed Platinum

META

33 522 660

## Certificates

IAPMO\_4976

IAPMO\_8834

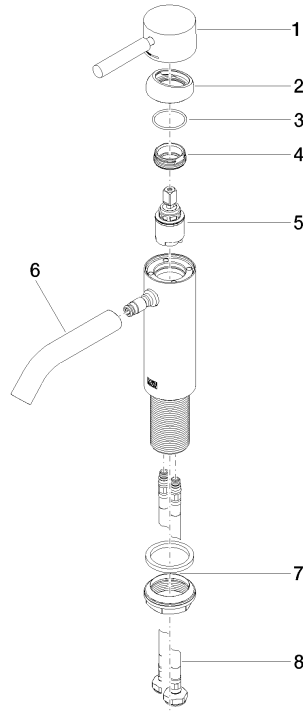
IAPMO\_6397

IAPMO\_N-4976

33 522 660

Product version up to 1/23/2020

**Product version from 1/23/2020**





# META Single-lever basin mixer without pop-up waste - Brushed Platinum

META

33 522 660

## Spare parts list

Product version up to 1/23/2020

### Product version from 1/23/2020

No.	Item Number	Name	Quantity used	Delivery time
	90 20 66 002 00-06	handle	9	10