

33 526 660



- 125mm projection
- fixed spout
- circular, air-enriched flow
- height of mixer 133 mm
- height up to aerator 52 mm
- hole diameter 35 mm
- 2 x pressure hose with 3/8" cap nut
- max. flow 4.5 l/min
- lead-free
- This product can help a building meet the requirements of Green Building Rating Systems, e.g. LEED®, BREEAM®, DGNB

	Brushed Light Gold	33 526 660-27 0010
	Chrome	33 526 660-00 0010
	Brushed Platinum	33 526 660-06 0010
	Dark Chrome	33 526 660-19 0010
	Light Gold	33 526 660-26 0010
	Matte Black	33 526 660-33 0010
	Brushed Bronze	33 526 660-42 0010
	Brushed Champagne (22kt Gold)	33 526 660-46 0010
	Champagne (22kt Gold)	33 526 660-47 0010
	Brushed Chrome	33 526 660-93 0010
	Brushed Dark Platinum	33 526 660-99 0010

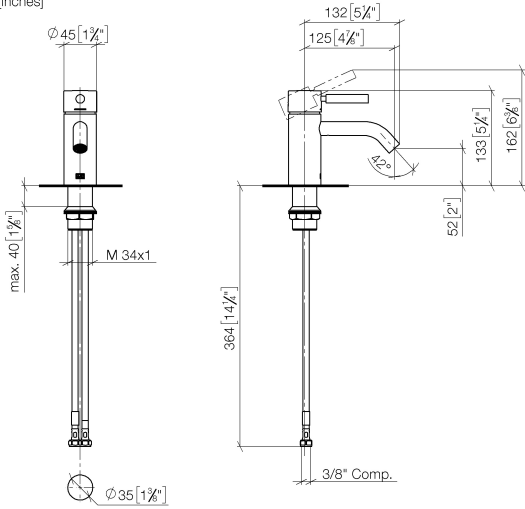


META Single-lever basin mixer without pop-up waste - Brushed Light Gold

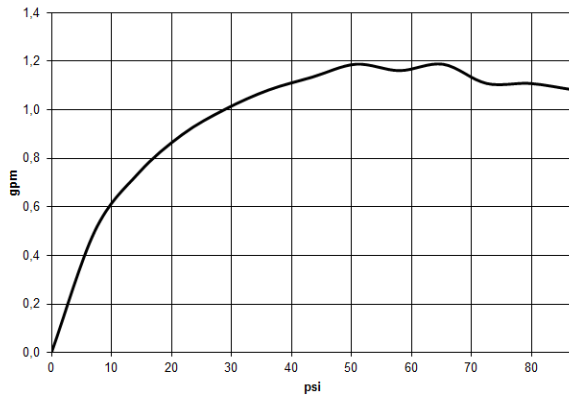
META

33 526 660

mm [inches]



Flow rate chart



Codes & Standards

ADA	ASME A112.18.1/CSA B125.1	California Energy Commission (CEC)	NSF/ANSI 372
NSF/ANSI/CAN 61	NSF372	NSF61	



META Single-lever basin mixer without pop-up waste - Brushed Light Gold

META

33 526 660

Certificates

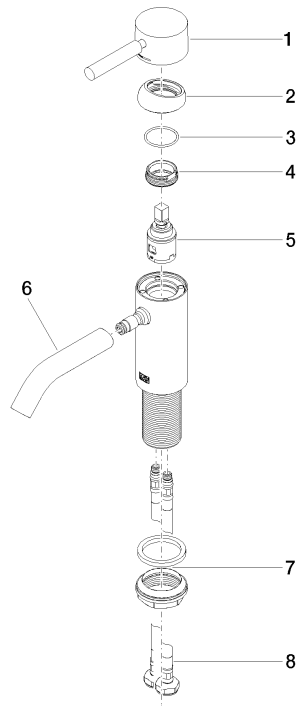
IAPMO_6397

IAPMO_N-4976

33 526 660

Product version from 1/23/2020

Parts for other finishes can be found here: [Chrome](#)





33 526 660

Spare parts list

Product version from 1/23/2020