




33 527 670

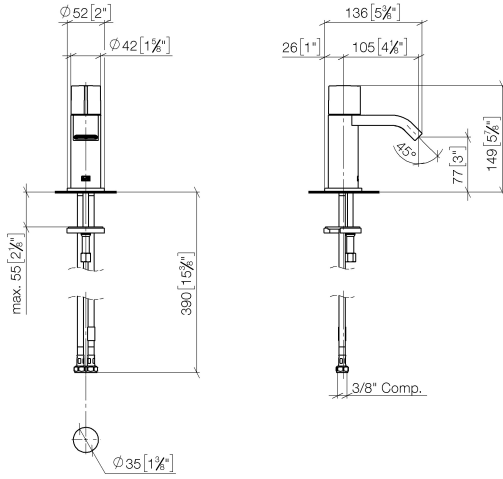


- 105mm projection
- fixed spout
- rectangular, air-enriched flow
- height of mixer 149 mm
- height up to aerator 80 mm
- hole diameter 35 mm
- progressive cartridge
- 2 x pressure hose with 3/8" cap nut
- max. flow 4.5 l/min
- lead-free
- This product can help a building meet the requirements of Green Building Rating Systems, e.g. LEED®, BREEAM®, DGNB

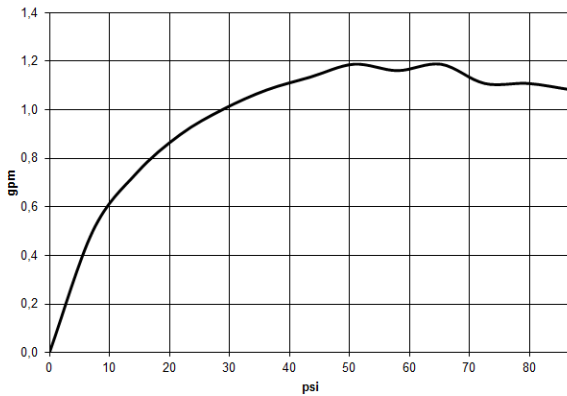
| | | |
|--|------------------|--------------------|
|  | Brushed Platinum | 33 527 670-06 0010 |
|  | Chrome | 33 527 670-00 0010 |
|  | Brushed Chrome | 33 527 670-93 0010 |

33 527 670

mm [inches]



Flow rate chart



Codes & Standards

| | | | |
|----------------|---------------------------|------------------------------------|--------|
| ASME A112.18.1 | ASME A112.18.1/CSA B125.1 | California Energy Commission (CEC) | cUPC |
| EPA WaterSense | NSF/ANSI 372 | NSF/ANSI/CAN 61 | NSF372 |
| NSF61 | Water Sense | WaterSense | |



IMO Single-lever basin mixer without pop-up waste - Brushed Platinum

IMO

33 527 670

Certificates

IAPMO_4976

IAPMO_8834

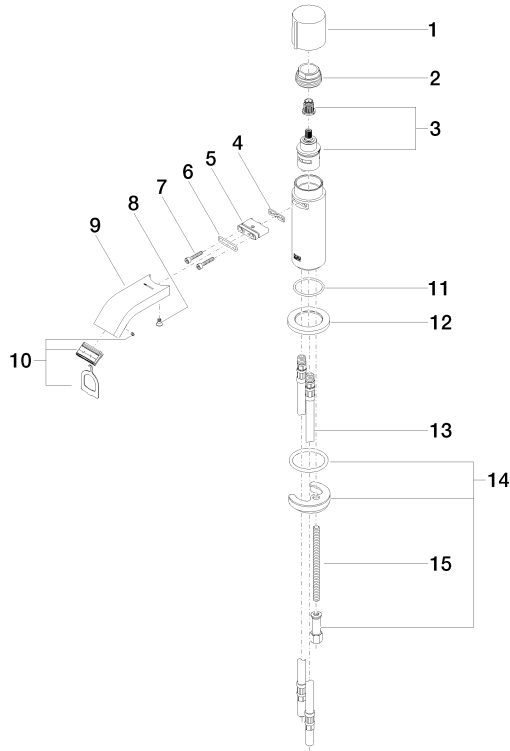
IAPMO_6397

IAPMO_N-4976

33 527 670

Product version up to 5/10/2021

Product version from 5/10/2021





IMO Single-lever basin mixer without pop-up waste - Brushed Platinum

IMO

33 527 670

Spare parts list

Product version up to 5/10/2021

Product version from 5/10/2021

| No. | Item Number | Name | Quantity used | Delivery time |
|-----|-----------------|--------|---------------|---------------|
| | 09 20 67 001-06 | handle | 17 | 10 |