



33 600 671

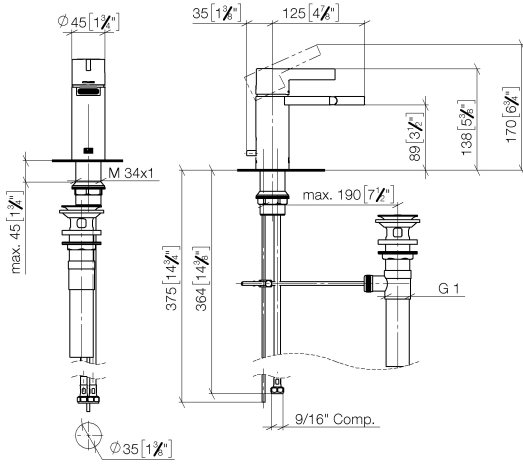


- 125mm projection
- 1 1/4" pop-up waste
- fixed spout
- ball-joint pivotable through °
- rectangular, air-enriched flow
- height of mixer 138 mm
- height up to aerator 89 mm
- 2 x pressure hose with 3/8" cap nut
- hole diameter 35 mm
- max. flow 4.6 l/min

	Brushed Dark Platinum	33 600 671-99 0010
	Chrome	33 600 671-00 0010
	Brushed Platinum	33 600 671-06 0010
	Dark Chrome	33 600 671-19 0010
	Brushed Light Gold	33 600 671-27 0010
	Matte Black	33 600 671-33 0010
	Brushed Chrome	33 600 671-93 0010

33 600 671

mm [inches]



Flow rate chart

