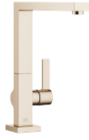




LOT Single-lever mixer - Brushed Champagne (22kt Gold)

LOT

33 800 680



- 236mm projection
- pivotable spout 360°
- air-enriched flow
- height of mixer 292 mm
- height up to aerator 267 mm
- hole diameter 35 mm
- 2 x pressure hose with 3/8" cap nut
- max. flow 5.7 l/min at 3 bar flow pressure
- lead-free
- This product can help a building meet the requirements of Green Building Rating Systems, e.g. LEED®, BREEAM®, DGNB

Not possible in combination with rinsing spray.

	Brushed Champagne (22kt Gold)	33 800 680-46 0010
	Chrome	33 800 680-00 0010
	Brushed Platinum	33 800 680-06 0010
	Platinum	33 800 680-08 0010
	Dark Chrome	33 800 680-19 0010
	Brushed Durabronze (23kt Gold)	33 800 680-28 0010
	Champagne (22kt Gold)	33 800 680-47 0010
	Brushed Dark Platinum	33 800 680-99 0010

Recommended miscellaneous

Dispenser with rosette - Brushed Champagne (22kt Gold) 82 439 970-46



Recommended miscellaneous

AIR SWITCH Control button - Brushed Champagne (22kt Gold) 10 714 970-46

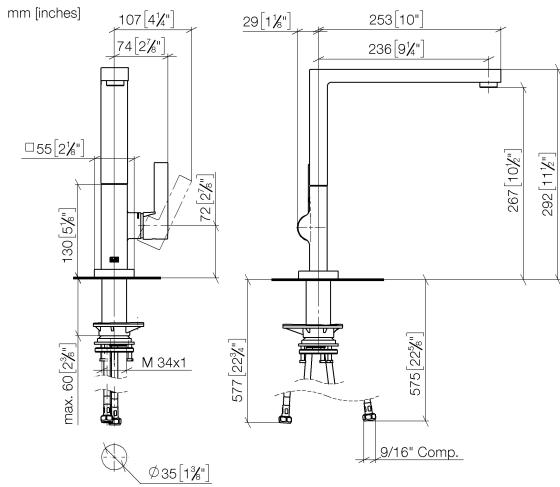




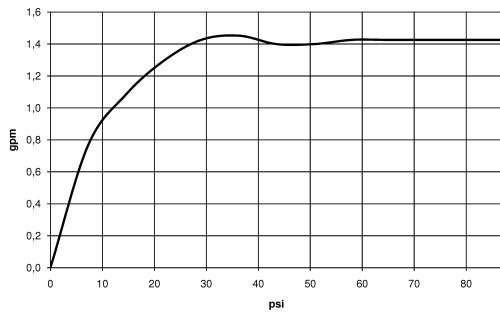
LOT Single-lever mixer - Brushed Champagne (22kt Gold)

LOT

33 800 680



Flow rate chart



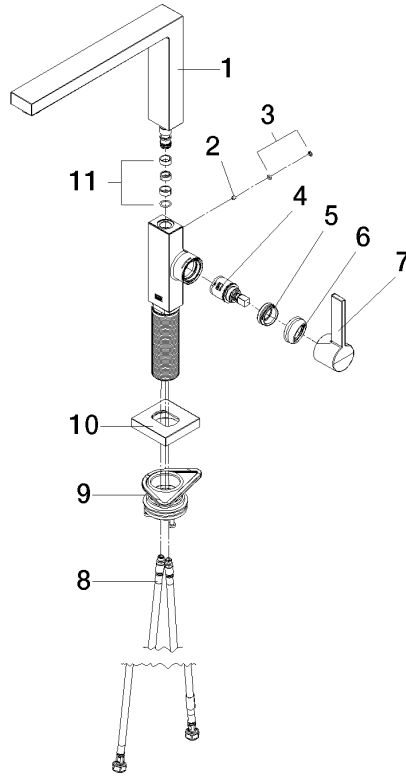
Codes & Standards

California Energy
Commission
(CEC)

33 800 680

Product version from 3/1/2023

Parts for other finishes can be found here: Chrome





LOT Single-lever mixer - Brushed Champagne (22kt Gold)

LOT

33 800 680

Spare parts list

Product version from 3/1/2023

No.	Item Number	Name	Quantity used	Delivery time
	90 11 06 218 01-46	spout	12	-

Spare part can no longer be ordered, please order the replacement item