

33 800 760



- 220mm projection
- pivotable spout 130°
- air-enriched flow
- height of mixer 167 mm
- height up to aerator 145 mm
- hole diameter 35 mm
- 2 x pressure hose with 3/8" cap nut
- max. flow 5.7 l/min at 3 bar flow pressure
- lead-free
- This product can help a building meet the requirements of Green Building Rating Systems, e.g. LEED®, BREEAM®, DGNB

Not possible in combination with rinsing spray.

	Chrome	33 800 760-00 0010
	Brushed Platinum	33 800 760-06 0010
	Platinum	33 800 760-08 0010
	Dark Chrome	33 800 760-19 0010
	Brushed Durabronze (23kt Gold)	33 800 760-28 0010
	Brushed Champagne (22kt Gold)	33 800 760-46 0010
	Champagne (22kt Gold)	33 800 760-47 0010
	Brushed Chrome	33 800 760-93 0010
	Brushed Dark Platinum	33 800 760-99 0010

Recommended miscellaneous

AIR SWITCH Control button - Chrome 10 713 970-00

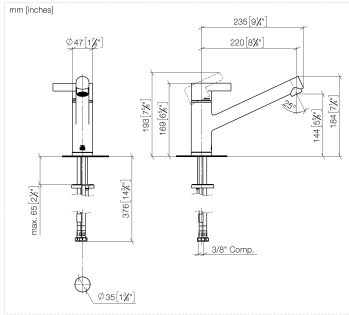


Recommended miscellaneous

Dispenser without rosette - Chrome 82 424 970-00



33 800 760



Codes & Standards

ADA	ASME A112.18.1	ASME A112.18.1/CSA B125.1	California Energy Commission (CEC)
cUPC	NSF/ANSI 372	NSF/ANSI/CAN 61	NSF372
NSF61			

Certificates

IAPMO_4976 IAPMO_6397 IAPMO_N-4976

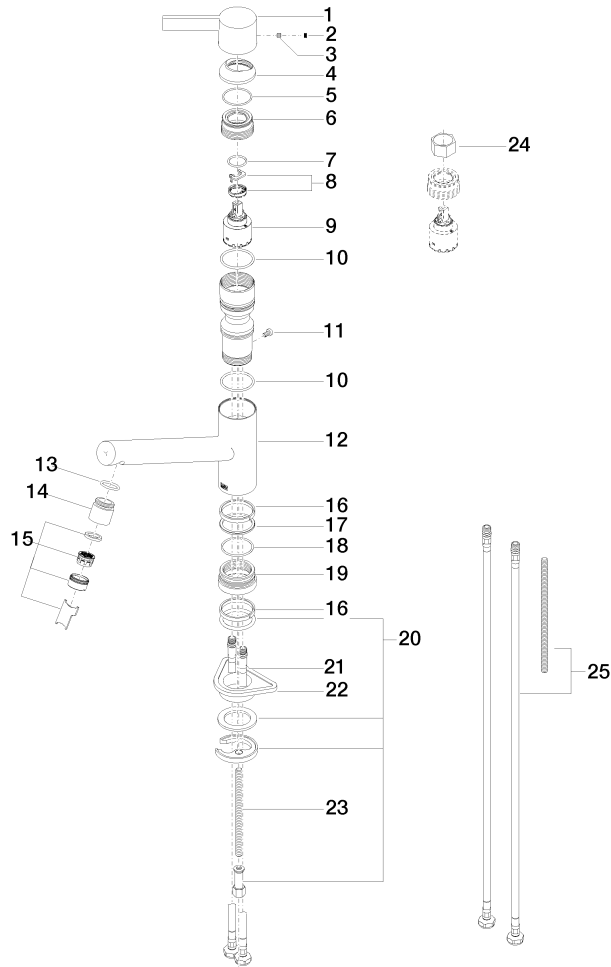
33 800 760

Product version up to 5/15/2020

Product version from 5/15/2020 to 5/6/2021

Product version from 4/26/2021

Product version from 4/26/2021





ENO Single-lever mixer - Chrome

ENO

33 800 760

Spare parts list

Product version up to 5/15/2020

Product version from 5/15/2020 to 5/6/2021

Product version from 4/26/2021

Product version from 4/26/2021

No.	Item Number	Name	Quantity used	Delivery time
	09 20 76 001-00	handle	27	10