

33 800 861 Product version from 2/1/2023



- 200mm projection
- pivotable spout 360°
- Optional swivel limiter available with swivel limiter set 12 820 970 90
- air-enriched flow
- height of mixer 333 mm
- height up to aerator 258 mm
- hole diameter 35 mm
- 2 x pressure hose with 3/8" cap nut
- max. flow 5.7 l/min at 3 bar flow pressure
- lead-free
- This product can help a building meet the requirements of Green Building Rating Systems, e.g. LEED®, BREEAM®, DGNB

Not possible in combination with rinsing spray.

	Brushed Bronze	33 800 861-42 0010
	Chrome	33 800 861-00 0010
	Brushed Platinum	33 800 861-06 0010
	Platinum	33 800 861-08 0010
	Durabronze (23kt Gold)	33 800 861-09 0010
	Dark Chrome	33 800 861-19 0010
	Brushed Durabronze (23kt Gold)	33 800 861-28 0010
	Matte Black	33 800 861-33 0010
	Brushed Champagne (22kt Gold)	33 800 861-46 0010
	Champagne (22kt Gold)	33 800 861-47 0010
	Brushed Chrome	33 800 861-93 0010
	Brushed Dark Platinum	33 800 861-99 0010

Recommended miscellaneous

	Swivel limitation set -	12 820 970 90
---	--------------------------------	---------------

Recommended miscellaneous

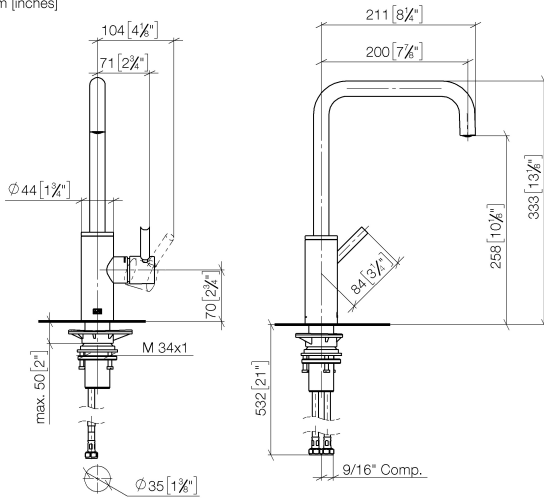
	AIR SWITCH Control button - Brushed Bronze	10 713 970-42
---	---	---------------

Recommended miscellaneous

	Dispenser with rosette - Brushed Bronze	82 444 970-42
---	--	---------------

33 800 861 Product version from 2/1/2023

mm [inches]



Flow rate chart



Codes & Standards

California Energy
Commission
(CEC)

NSF372

NSF61



META SQUARE Single-lever mixer - Brushed Bronze

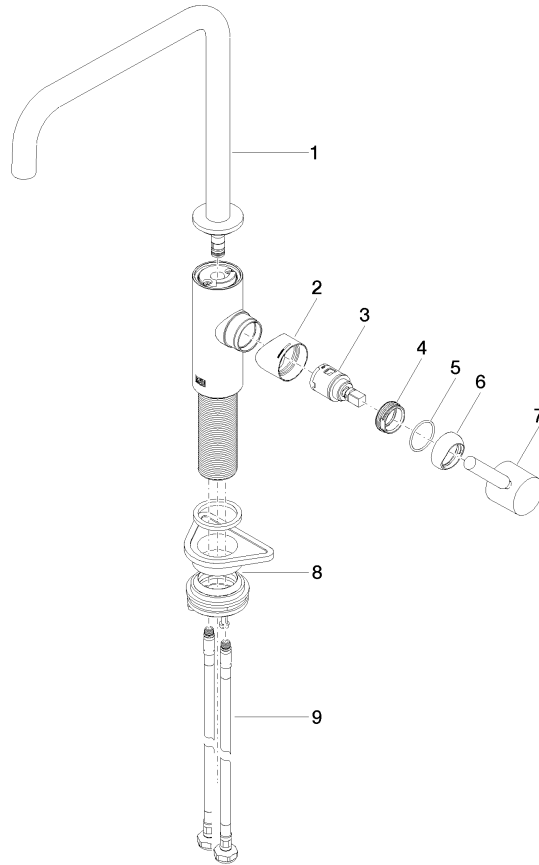
META SQUARE

33 800 861 Product version from 2/1/2023

Certificates

IAPMO_6397

IAPMO_N-4976



Spare parts list

No.	Item Number	Name	Quantity used	Delivery time
1	90 28 22 334 01-42	spout	1	30
2	09 19 86 012-42	cover	1	60
3	90 15 05 042 00 90	cartridge	1	2
4	09 24 04 266 90	nut	1	2
5	09 14 10 091 90	seal	1	2
6	90 28 30 052 00-42	cover	1	30
7	90 20 66 003 00-42	handle	1	30
8	04 23 10 044 08 90	fixing set	1	2
9	04 30 04 101 00 90	hose	2	2