

33 800 875



- 201mm projection
- pivotable spout 360°
- air-enriched flow
- height of mixer 373 mm
- height up to aerator 240 mm
- hole diameter 35 mm
- 2 x pressure hose with 3/8" cap nut
- max. flow 5.7 l/min at 3 bar flow pressure
- lead-free
- This product can help a building meet the requirements of Green Building Rating Systems, e.g. LEED®, BREEAM®, DGNB

Not possible in combination with rinsing spray.

	Brushed Platinum	33 800 875-06 0010
	Chrome	33 800 875-00 0010
	Platinum	33 800 875-08 0010
	Durabronze (23kt Gold)	33 800 875-09 0010
	Dark Chrome	33 800 875-19 0010
	Brushed Durabronze (23kt Gold)	33 800 875-28 0010
	Matte Black	33 800 875-33 0010
	Brushed Champagne (22kt Gold)	33 800 875-46 0010
	Champagne (22kt Gold)	33 800 875-47 0010
	Brushed Chrome	33 800 875-93 0010
	Brushed Dark Platinum	33 800 875-99 0010

Recommended miscellaneous

**AIR SWITCH Control button -
Brushed Platinum** 10 713 970-06



Recommended miscellaneous

**Dispenser without rosette -
Brushed Platinum** 82 424 970-06

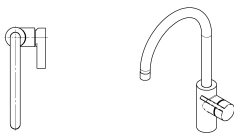
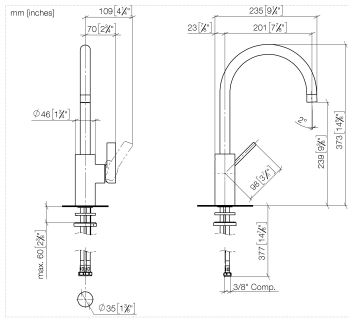




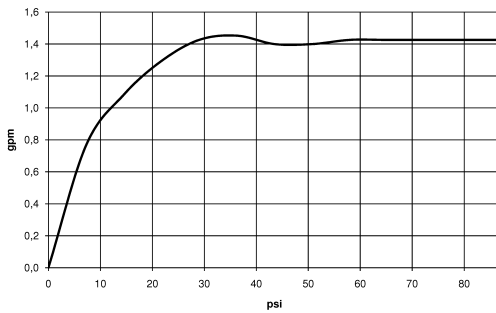
TARA ULTRA Single-lever mixer - Brushed Platinum

TARA ULTRA

33 800 875



Flow rate chart



Codes & Standards

ADA

ASME
A112.18.1/CSA
B125.1

California Energy
Commission
(CEC)

NSF/ANSI 372

NSF/ANSI/CAN
61



TARA ULTRA Single-lever mixer - Brushed Platinum

TARA ULTRA

33 800 875

Certificates

IAPMO_N-4976 (1). IAPMO_4976 (3). IAPMO_6397 (1).

33 800 875

Parts for other
finishes can be found
here: [Chrome](#)

