

TARA BAR TAP Single-lever mixer - Champagne (22kt Gold)

TARA

33 805 888



- 166mm projection
- pivotable spout 360°
- air-enriched flow
- height of mixer 302 mm
- height up to aerator 185 mm
- hole diameter 35 mm
- 2 x pressure hose with 3/8" cap nut
- max. flow 5.7 l/min at 3 bar flow pressure
- lead-free
- This product can help a building meet the requirements of Green Building Rating Systems, e.g. LEED®, BREEAM®, DGNB

Not possible in combination with rinsing spray.

	Champagne (22kt Gold)	33 805 888-47 0010
	Chrome	33 805 888-00 0010
	Brushed Platinum	33 805 888-06 0010
	Platinum	33 805 888-08 0010
	Durabrass (23kt Gold)	33 805 888-09 0010
	Dark Chrome	33 805 888-19 0010
	Brushed Durabrass (23kt Gold)	33 805 888-28 0010
	Matte Black	33 805 888-33 0010
	Brushed Champagne (22kt Gold)	33 805 888-46 0010
	Brushed Chrome	33 805 888-93 0010
	Brushed Dark Platinum	33 805 888-99 0010

Recommended miscellaneous

Dispenser with rosette - Champagne (22kt Gold)

82 444 970-47



Recommended miscellaneous

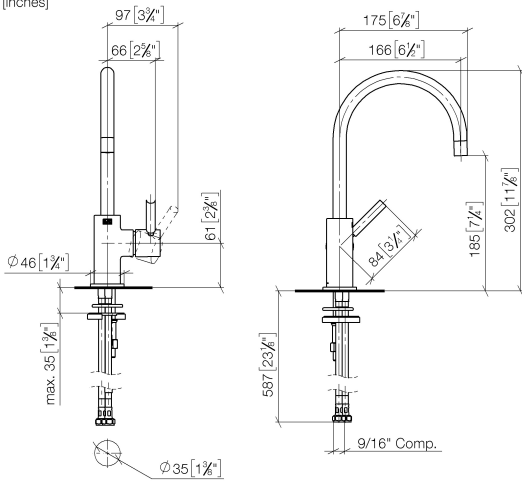
AIR SWITCH Control button - Champagne (22kt Gold)

10 713 970-47

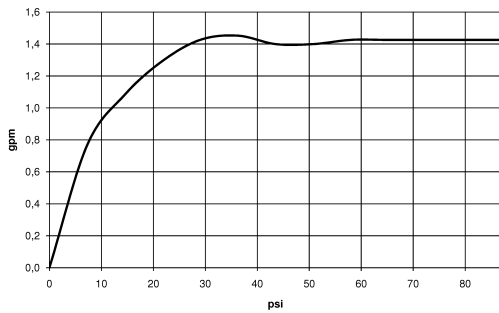


33 805 888

mm [inches]



Flow rate chart

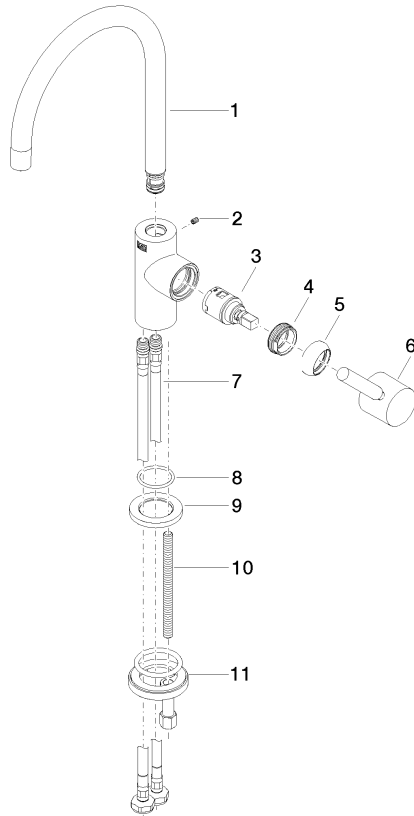


Codes & Standards

California Energy
Commission
(CEC)

33 805 888

Parts for other
finishes can be found
here: [Chrome](#)





TARA BAR TAP Single-lever mixer - Champagne (22kt Gold)

TARA

33 805 888

Spare parts list

No.	Item Number	Name	Quantity used	Delivery time
	90 28 22 393 01-47	spout	12	60