

33 810 809



- 202mm projection
- pivotable spout 360°
- air-enriched flow
- max. flow 5.7 l/min at 3 bar flow pressure
- lead-free
- This product can help a building meet the requirements of Green Building Rating Systems, e.g. LEED®, BREEAM®, DGNB

Single-lever mixer for combining with rinsing/Profi spray only

| | | |
|--|--------------------------------|--------------------|
|  | Brushed Platinum | 33 810 809-06 0010 |
|  | Chrome | 33 810 809-00 0010 |
|  | Platinum | 33 810 809-08 0010 |
|  | Durabronze (23kt Gold) | 33 810 809-09 0010 |
|  | Dark Chrome | 33 810 809-19 0010 |
|  | Brushed Durabronze (23kt Gold) | 33 810 809-28 0010 |
|  | Matte Black | 33 810 809-33 0010 |
|  | Brushed Champagne (22kt Gold) | 33 810 809-46 0010 |
|  | Champagne (22kt Gold) | 33 810 809-47 0010 |
|  | Brushed Chrome | 33 810 809-93 0010 |
|  | Brushed Dark Platinum | 33 810 809-99 0010 |

Recommended miscellaneous



VAIA Rinsing spray set - Brushed Platinum 27 718 809-06

Recommended miscellaneous



VAIA Dispenser with rosette - Brushed Platinum 82 434 809-06

Recommended miscellaneous

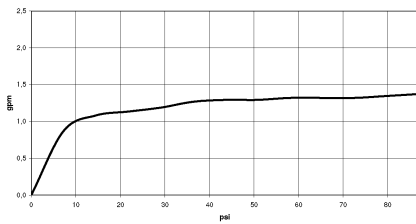


VAIA AIR SWITCH Control button - Brushed Platinum 10 713 809-06



33 810 809

Flow rate chart



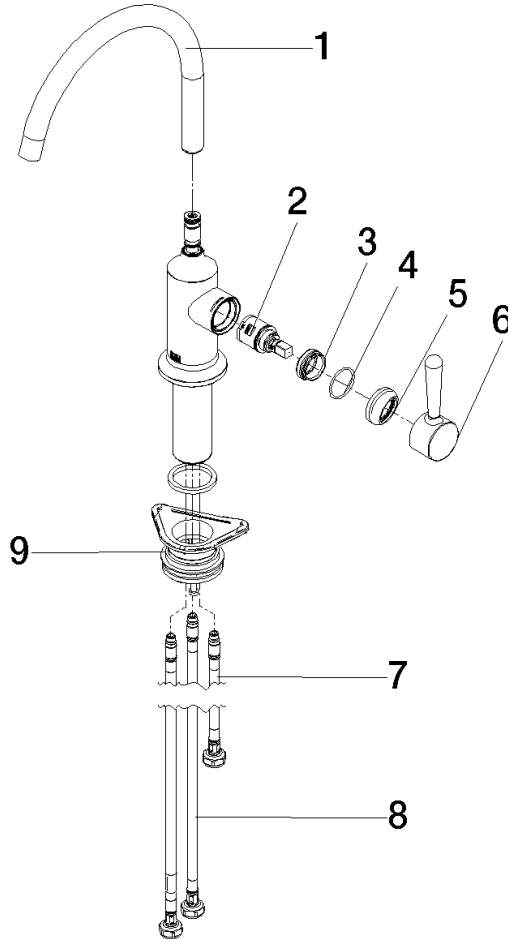
Codes & Standards

California Energy
Commission
(CEC)

33 810 809

Product version from 7/1/2023

Parts for other finishes can be found here: [Chrome](#)





VAIA Single-lever mixer for rinsing/Profi spray - Brushed Platinum

VAIA

33 810 809

Spare parts list

Product version from 7/1/2023

| No. | Item Number | Name | Quantity used | Delivery time |
|-----|--------------------|-------|---------------|---------------|
| | 90 28 22 313 00-06 | spout | 10 | 10 |