

33 815 861 Product version from 2/1/2023



- 235mm projection
- pivotable spout 360°
- Optional swivel limiter available with swivel limiter set 12 820 970 90
- air-enriched flow
- height of mixer 357 mm
- height up to aerator 282 mm
- hole diameter 35 mm
- 2 x pressure hose with 3/8" cap nut
- max. flow 5.7 l/min at 3 bar flow pressure
- lead-free
- This product can help a building meet the requirements of Green Building Rating Systems, e.g. LEED®, BREEAM®, DGNB

Not possible in combination with rinsing spray.

| | | |
|---|--------------------------------|--------------------|
|  | Brushed Bronze | 33 815 861-42 0010 |
|  | Chrome | 33 815 861-00 0010 |
|  | Brushed Platinum | 33 815 861-06 0010 |
|  | Platinum | 33 815 861-08 0010 |
|  | Durabronze (23kt Gold) | 33 815 861-09 0010 |
|  | Dark Chrome | 33 815 861-19 0010 |
|  | Brushed Durabronze (23kt Gold) | 33 815 861-28 0010 |
|  | Matte Black | 33 815 861-33 0010 |
|  | Brushed Champagne (22kt Gold) | 33 815 861-46 0010 |
|  | Champagne (22kt Gold) | 33 815 861-47 0010 |
|  | Brushed Chrome | 33 815 861-93 0010 |
|  | Brushed Dark Platinum | 33 815 861-99 0010 |


Recommended miscellaneous

| | | |
|---|--------------------------------|---------------|
|  | Swivel limitation set - | 12 820 970 90 |
|---|--------------------------------|---------------|

Recommended miscellaneous

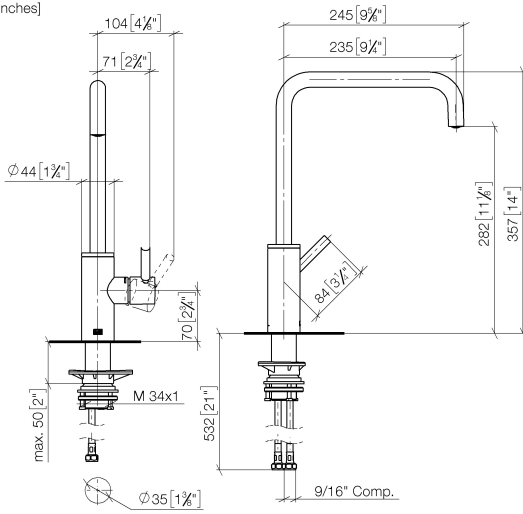
| | | |
|---|---|---------------|
|  | AIR SWITCH Control button - Brushed Bronze | 10 713 970-42 |
|---|---|---------------|

Recommended miscellaneous

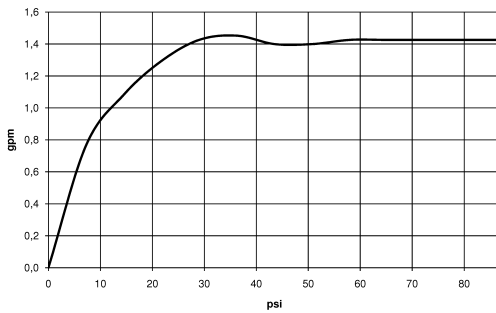
| | | |
|---|---|---------------|
|  | Dispenser without rosette - Brushed Bronze | 82 424 970-42 |
|---|---|---------------|

33 815 861 Product version from 2/1/2023

mm [inches]



Flow rate chart



Codes & Standards

California Energy
Commission
(CEC)

NSF372

NSF61



META SQUARE Single-lever mixer - Brushed Bronze

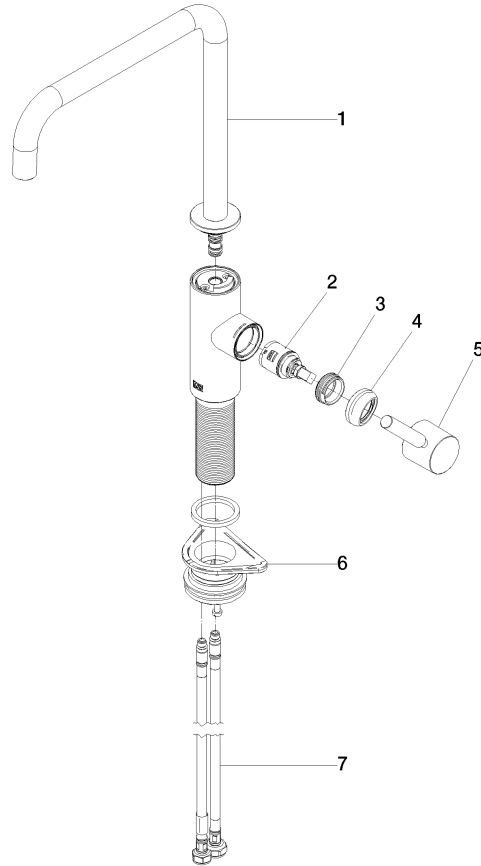
META SQUARE

33 815 861 Product version from 2/1/2023

Certificates

IAPMO_6397

IAPMO_N-4976



Spare parts list

| No. | Item Number | Name | Quantity used | Delivery time |
|-----|--------------------|------------|---------------|---------------|
| 1 | 90 28 22 284 01-42 | spout | 1 | 30 |
| 2 | 90 15 05 042 00 90 | cartridge | 1 | 2 |
| 3 | 09 24 04 266 90 | nut | 1 | 2 |
| 4 | 90 28 30 052 00-42 | cover | 1 | 30 |
| 5 | 90 20 66 033 00-42 | handle | 1 | 30 |
| 6 | 04 23 10 044 08 90 | fixing set | 1 | 2 |
| 7 | 04 30 04 103 00 90 | hose | 2 | 2 |