

33 815 888



- 236mm projection
- pivotable spout 360°
- air-enriched flow
- height of mixer 400 mm
- height up to aerator 230 mm
- hole diameter 35 mm
- 2 x pressure hose with 3/8" cap nut
- max. flow 5.7 l/min at 3 bar flow pressure
- lead-free
- This product can help a building meet the requirements of Green Building Rating Systems, e.g. LEED®, BREEAM®, DGNB

Not possible in combination with rinsing spray.

| | | |
|---|-------------------------------|--------------------|
|  | Platinum | 33 815 888-08 0010 |
|  | Chrome | 33 815 888-00 0010 |
|  | Brushed Platinum | 33 815 888-06 0010 |
|  | Durabrace (23kt Gold) | 33 815 888-09 0010 |
|  | Dark Chrome | 33 815 888-19 0010 |
|  | Brushed Durabrace (23kt Gold) | 33 815 888-28 0010 |
|  | Matte Black | 33 815 888-33 0010 |
|  | Brushed Champagne (22kt Gold) | 33 815 888-46 0010 |
|  | Champagne (22kt Gold) | 33 815 888-47 0010 |
|  | Brushed Chrome | 33 815 888-93 0010 |
|  | Brushed Dark Platinum | 33 815 888-99 0010 |

Recommended miscellaneous

AIR SWITCH Control button - Platinum 10 713 970-08

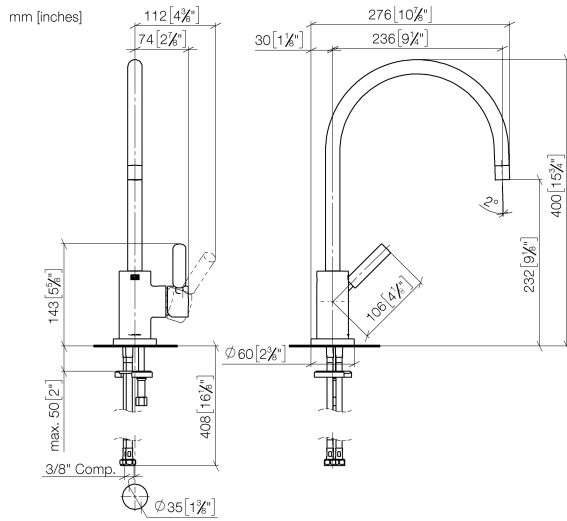


Recommended miscellaneous

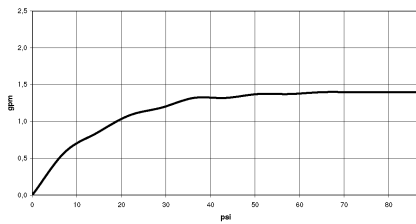
Dispenser with rosette - Platinum 82 444 970-08



33 815 888



Flow rate chart



Codes & Standards

ADA

ASME
A112.18.1/CSA
B125.1

California Energy
Commission
(CEC)

NSF/ANSI 372

NSF/ANSI/CAN
61



TARA Single-lever mixer - Platinum

TARA

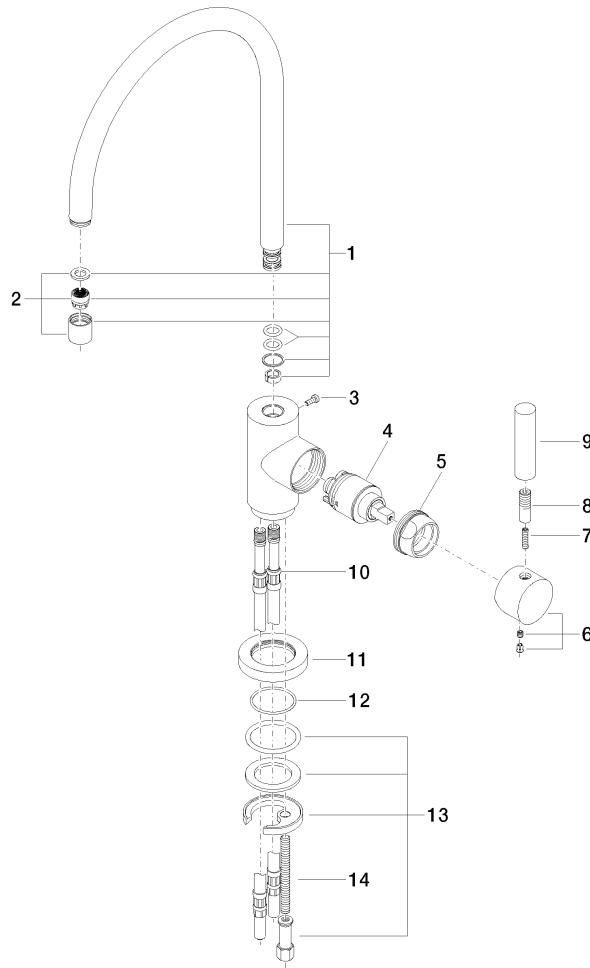
33 815 888

Certificates

IAPMO_4976 (2). IAPMO_N-4976 (1). IAPMO_6397 (1).

33 815 888

Parts for other finishes can be found here: [Chrome](#)



Spare parts list

| No. | Item Number | Name | Quantity used | Delivery time |
|--|--------------------|------------|---------------|---------------|
| 1 | 90 28 22 049 10-08 | spout | 1 | - |
| Spare part can no longer be ordered, please order the replacement item | | | | |
| 2 | 90 23 01 028 02-08 | aerator | 1 | - |
| Spare part can no longer be ordered, please order the replacement item | | | | |
| 3 | 09 30 30 054 90 | screw | 1 | 2 |
| 4 | 90 15 05 065 00 90 | cartridge | 1 | 2 |
| 5 | 09 24 04 107-08 | nut | 1 | 40 |
| 6 | 90 20 88 040 00-08 | handle | 1 | 40 |
| 7 | 09 31 11 010 90 | pin | 1 | 2 |
| 8 | 90 24 04 048 00-08 | nipple | 1 | 40 |
| 9 | 11 170 880-08 | handle | 1 | 40 |
| 10 | 04 30 04 044 00 90 | hose | 2 | 60 |
| 11 | 09 28 10 055-08 | rosette | 1 | 40 |
| 12 | 09 14 10 034 90 | seal | 1 | 2 |
| 13 | 04 30 11 038 00 90 | fixing set | 1 | 2 |
| 14 | 09 31 11 011 90 | pin | 1 | 2 |