

33 815 888



- 236mm projection
- pivotable spout 360°
- air-enriched flow
- height of mixer 400 mm
- height up to aerator 230 mm
- hole diameter 35 mm
- 2 x pressure hose with 3/8" cap nut
- max. flow 5.7 l/min at 3 bar flow pressure
- lead-free
- This product can help a building meet the requirements of Green Building Rating Systems, e.g. LEED®, BREEAM®, DGNB

Not possible in combination with rinsing spray.

|   |                                |                    |
|---|--------------------------------|--------------------|
|    | Matte Black                    | 33 815 888-33 0010 |
|    | Chrome                         | 33 815 888-00 0010 |
|    | Brushed Platinum               | 33 815 888-06 0010 |
|    | Platinum                       | 33 815 888-08 0010 |
|    | Durabronze (23kt Gold)         | 33 815 888-09 0010 |
|    | Dark Chrome                    | 33 815 888-19 0010 |
|    | Brushed Durabronze (23kt Gold) | 33 815 888-28 0010 |
|    | Brushed Champagne (22kt Gold)  | 33 815 888-46 0010 |
|    | Champagne (22kt Gold)          | 33 815 888-47 0010 |
|   | Brushed Chrome                 | 33 815 888-93 0010 |
|  | Brushed Dark Platinum          | 33 815 888-99 0010 |

Recommended miscellaneous

**AIR SWITCH Control button - Matte Black** 10 713 970-33

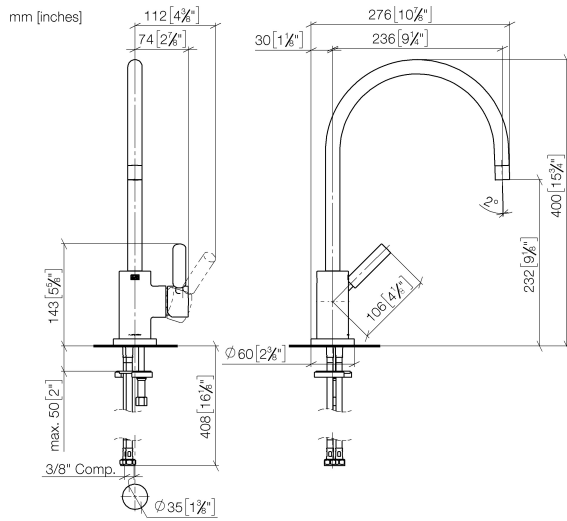


Recommended miscellaneous

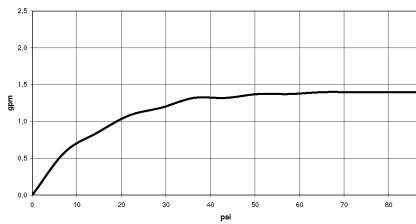
**Dispenser with rosette - Matte Black** 82 444 970-33



33 815 888



Flow rate chart



Codes & Standards

ADA

ASME  
A112.18.1/CSA  
B125.1

California Energy  
Commission  
(CEC)

NSF/ANSI 372

NSF/ANSI/CAN  
61



## TARA Single-lever mixer - Matte Black

---

TARA

33 815 888

### Certificates

---

IAPMO\_N-4976 (1). IAPMO\_6397 (1).

33 815 888

Parts for other  
finishes can be found  
here: [Chrome](#)

