

TARA Single-lever mixer - Brushed Champagne (22kt Gold)

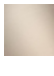

TARA

33 815 888



- 236mm projection
- pivotable spout 360°
- air-enriched flow
- height of mixer 400 mm
- height up to aerator 230 mm
- hole diameter 35 mm
- 2 x pressure hose with 3/8" cap nut
- max. flow 5.7 l/min at 3 bar flow pressure
- lead-free
- This product can help a building meet the requirements of Green Building Rating Systems, e.g. LEED®, BREEAM®, DGNB

Not possible in combination with rinsing spray.

	Brushed Champagne (22kt Gold)	33 815 888-46 0010
	Chrome	33 815 888-00 0010
	Brushed Platinum	33 815 888-06 0010
	Platinum	33 815 888-08 0010
	Durabrand (23kt Gold)	33 815 888-09 0010
	Dark Chrome	33 815 888-19 0010
	Brushed Durabrand (23kt Gold)	33 815 888-28 0010
	Matte Black	33 815 888-33 0010
	Champagne (22kt Gold)	33 815 888-47 0010
	Brushed Chrome	33 815 888-93 0010
	Brushed Dark Platinum	33 815 888-99 0010

Recommended miscellaneous

Dispenser with rosette - Brushed Champagne (22kt Gold) 82 444 970-46

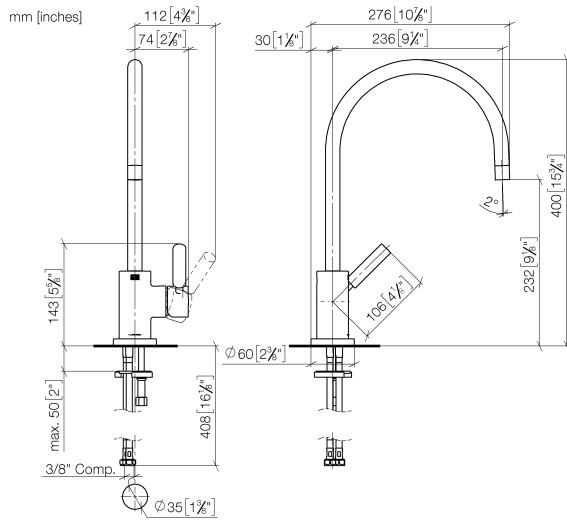


Recommended miscellaneous

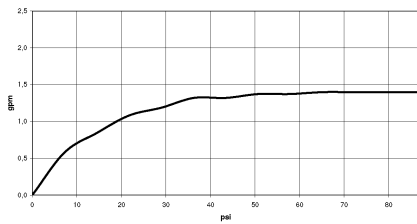
AIR SWITCH Control button - Brushed Champagne (22kt Gold) 10 713 970-46



33 815 888



Flow rate chart



Codes & Standards

ADA

ASME
A112.18.1/CSA
B125.1

California Energy
Commission
(CEC)

NSF/ANSI 372

NSF/ANSI/CAN
61



TARA Single-lever mixer - Brushed Champagne (22kt Gold)

TARA

33 815 888

Certificates

IAPMO_N-4976 (1). IAPMO_6397 (1).

33 815 888

Parts for other
finishes can be found
here: [Chrome](#)

