

TARA Single-lever mixer for rinsing/Profi spray - Chrome

33 826 888



- 235mm projection
- pivotable spout 360°
- air-enriched flow
- height of mixer 400 mm
- height up to aerator 230 mm
- single-lever mixer hole diameter 35mm
- 2x US pressure hose, 3/8"
- max. flow 5.7 l/min at 3 bar flow pressure
- lead-free
- This product can help a building meet the requirements of Green Building Rating Systems, e.g. LEED®, BREEAM®, DGNB

Single-lever mixer for combining with rinsing/Profi spray only

| | | |
|---|-------------------------------|--------------------|
|  | Chrome | 33 826 888-00 0010 |
|  | Brushed Platinum | 33 826 888-06 0010 |
|  | Platinum | 33 826 888-08 0010 |
|  | Durabrace (23kt Gold) | 33 826 888-09 0010 |
|  | Dark Chrome | 33 826 888-19 0010 |
|  | Brushed Durabrace (23kt Gold) | 33 826 888-28 0010 |
|  | Matte Black | 33 826 888-33 0010 |
|  | Brushed Champagne (22kt Gold) | 33 826 888-46 0010 |
|  | Champagne (22kt Gold) | 33 826 888-47 0010 |
|  | Brushed Chrome | 33 826 888-93 0010 |
|  | Brushed Dark Platinum | 33 826 888-99 0010 |

Recommended miscellaneous



Profi spray set - Chrome

27 789 970-00
0010

Recommended miscellaneous



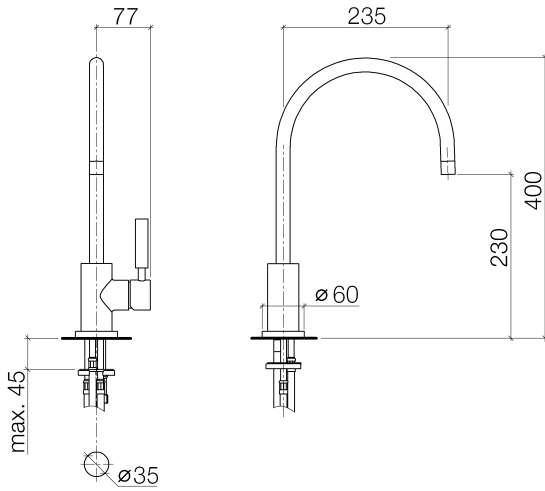
Rinsing spray set - Chrome

27 721 970-00

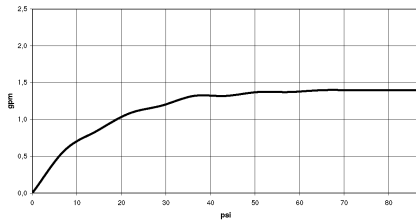


TARA Single-lever mixer for rinsing/Profi spray - Chrome

33 826 888



Flow rate chart



Codes & Standards

ADA

ASME
A112.18.1/CSA
B125.1

California Energy
Commission
(CEC)

NSF/ANSI 372

NSF/ANSI/CAN
61



TARA Single-lever mixer for rinsing/Profi spray - Chrome

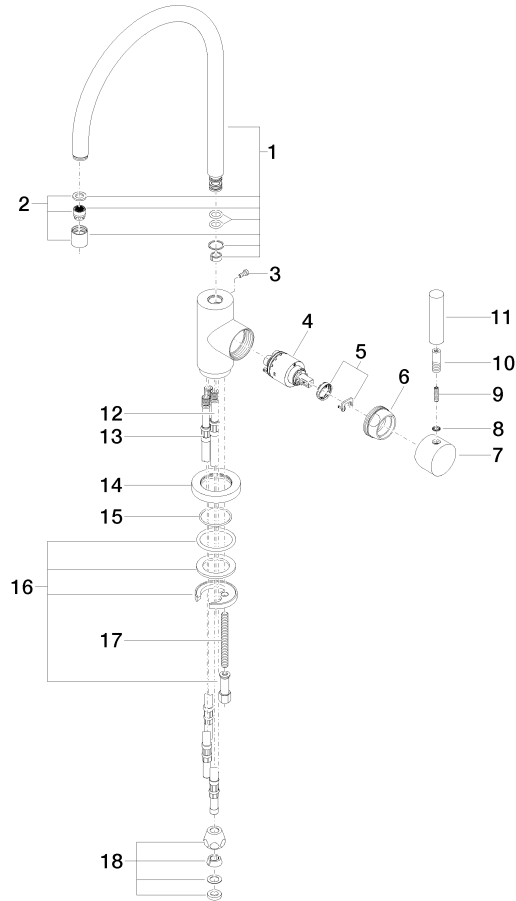
33 826 888

Certificates

IAPMO_N-4976 (2). IAPMO_4976 (3). IAPMO_6397 (1).

TARA Single-lever mixer for rinsing/Profi spray - Chrome

33 826 888



Spare parts list

| No. | Item Number | Name | Quantity used | Delivery time |
|-----|--------------------|--------------------|---------------|---------------|
| 1 | 90 28 22 049 03-00 | spout | 1 | 10 |
| 2 | 90 23 01 028 00-00 | aerator | 1 | 10 |
| 3 | 09 30 30 054 90 | screw | 1 | 2 |
| 4 | 90 15 05 065 00 90 | cartridge | 1 | 2 |
| 5 | 90 28 10 148 00 90 | accessories | 1 | 2 |
| 6 | 09 24 04 107-00 | nut | 1 | 10 |
| 7 | 90 20 88 040 00-00 | handle | 1 | 10 |
| 8 | 90 30 11 032 00 90 | disc | 1 | 2 |
| 9 | 09 31 11 010 90 | pin | 1 | 2 |
| 10 | 90 24 04 048 00-00 | nipple | 1 | 10 |
| 11 | 11 170 880-00 | handle | 1 | 10 |
| 12 | 04 30 04 064 00 90 | hose | 1 | 60 |
| 13 | 04 30 04 044 00 90 | hose | 2 | 60 |
| 14 | 09 28 10 055-00 | rosette | 1 | 10 |
| 15 | 09 14 10 034 90 | seal | 1 | 2 |
| 16 | 04 30 11 038 00 90 | fixing set | 1 | 2 |
| 17 | 09 31 11 011 90 | pin | 1 | 2 |
| 18 | 90 23 30 040 00-00 | threaded connector | 1 | 10 |