

## TARA Single-lever mixer for rinsing/Profi spray - Platinum

33 826 888



- 235mm projection
- pivotable spout 360°
- air-enriched flow
- height of mixer 400 mm
- height up to aerator 230 mm
- single-lever mixer hole diameter 35mm
- 2x US pressure hose, 3/8"
- max. flow 5.7 l/min at 3 bar flow pressure
- lead-free
- This product can help a building meet the requirements of Green Building Rating Systems, e.g. LEED®, BREEAM®, DGNB

Single-lever mixer for combining with rinsing/Profi spray only

	Platinum	33 826 888-08 0010
	Chrome	33 826 888-00 0010
	Brushed Platinum	33 826 888-06 0010
	Durabrace (23kt Gold)	33 826 888-09 0010
	Dark Chrome	33 826 888-19 0010
	Brushed Durabrace (23kt Gold)	33 826 888-28 0010
	Matte Black	33 826 888-33 0010
	Brushed Champagne (22kt Gold)	33 826 888-46 0010
	Champagne (22kt Gold)	33 826 888-47 0010
	Brushed Chrome	33 826 888-93 0010
	Brushed Dark Platinum	33 826 888-99 0010

### Recommended miscellaneous



**Rinsing spray set - Platinum**

27 721 970-08

### Recommended miscellaneous



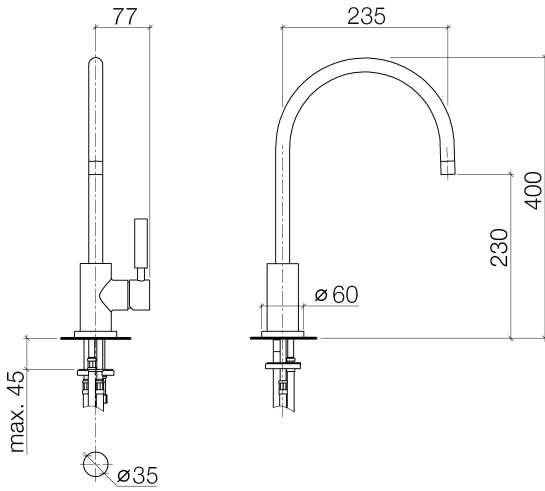
**Profi spray set - Platinum**

27 789 970-08  
0010

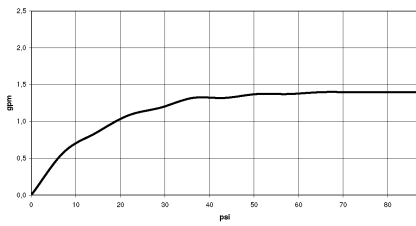


## TARA Single-lever mixer for rinsing/Profi spray - Platinum

33 826 888



### Flow rate chart



### Codes & Standards

ADA	ASME A112.18.1	ASME A112.18.1/CSA B125.1	California Energy Commission (CEC)
cUPC	NSF/ANSI 372	NSF/ANSI/CAN 61	NSF372
NSF61			



## TARA Single-lever mixer for rinsing/Profi spray - Platinum

---

33 826 888

### Certificates

---

IAPMO\_4976

IAPMO\_6397

IAPMO\_N-4976



# TARA Single-lever mixer for rinsing/Profi spray - Platinum

33 826 888

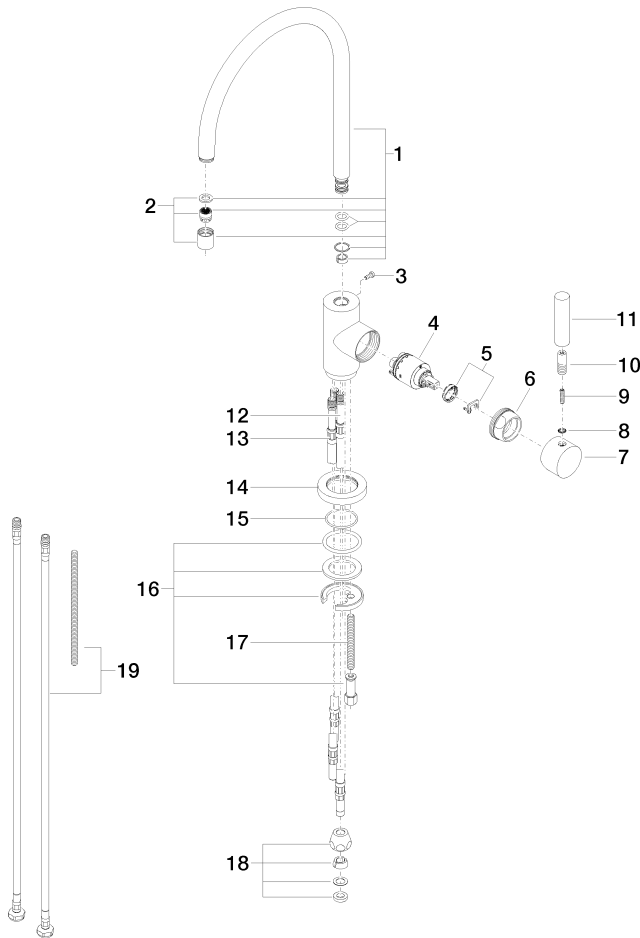
Product version up to 5/31/2010

Product version from 5/31/2010 to 4/26/2021

Product version from 4/26/2021 to 9/7/2021

## Product version from 9/1/2021

Parts for other finishes can be found here: [Chrome](#)





## TARA Single-lever mixer for rinsing/Profi spray - Platinum

---

33 826 888

### Spare parts list

Product version up to 5/31/2010

Product version from 5/31/2010 to 4/26/2021

Product version from 4/26/2021 to 9/7/2021

### **Product version from 9/1/2021**

No.	Item Number	Name	Quantity used	Delivery time
	90 28 22 049 03-08	spout	20	40