

**TARA Single-lever mixer for rinsing/Profi spray - Dark Chrome**

33 826 888



- 235mm projection
- pivotable spout 360°
- air-enriched flow
- height of mixer 400 mm
- height up to aerator 230 mm
- single-lever mixer hole diameter 35mm
- 2x US pressure hose, 3/8"
- max. flow 5.7 l/min at 3 bar flow pressure
- lead-free
- This product can help a building meet the requirements of Green Building Rating Systems, e.g. LEED®, BREEAM®, DGNB

Single-lever mixer for combining with rinsing/Profi spray only

	Dark Chrome	33 826 888-19 0010
	Chrome	33 826 888-00 0010
	Brushed Platinum	33 826 888-06 0010
	Platinum	33 826 888-08 0010
	Durabrand (23kt Gold)	33 826 888-09 0010
	Brushed Durabrand (23kt Gold)	33 826 888-28 0010
	Matte Black	33 826 888-33 0010
	Brushed Champagne (22kt Gold)	33 826 888-46 0010
	Champagne (22kt Gold)	33 826 888-47 0010
	Brushed Chrome	33 826 888-93 0010
	Brushed Dark Platinum	33 826 888-99 0010

**Recommended miscellaneous**



**Profi spray set - Chrome**

27 789 970-00  
0010

**Recommended miscellaneous**



**Rinsing spray set - Chrome**

27 721 970-00

**Recommended miscellaneous**



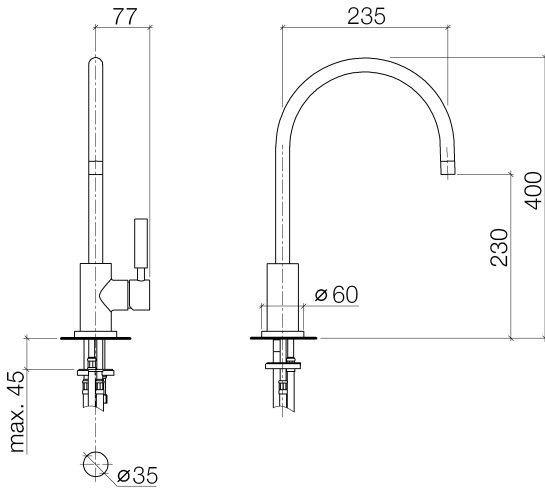
**Rinsing spray set - Dark Chrome**

27 721 970-19

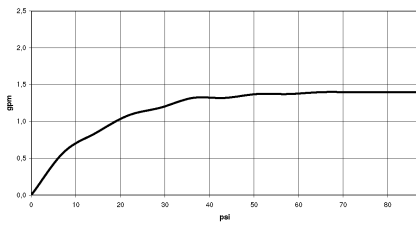


## TARA Single-lever mixer for rinsing/Profi spray - Dark Chrome

33 826 888



### Flow rate chart



### Codes & Standards

ADA	ASME A112.18.1/CSA B125.1	California Energy Commission (CEC)	NSF/ANSI 372
NSF/ANSI/CAN 61	NSF372	NSF61	



## TARA Single-lever mixer for rinsing/Profi spray - Dark Chrome

---

33 826 888

### Certificates

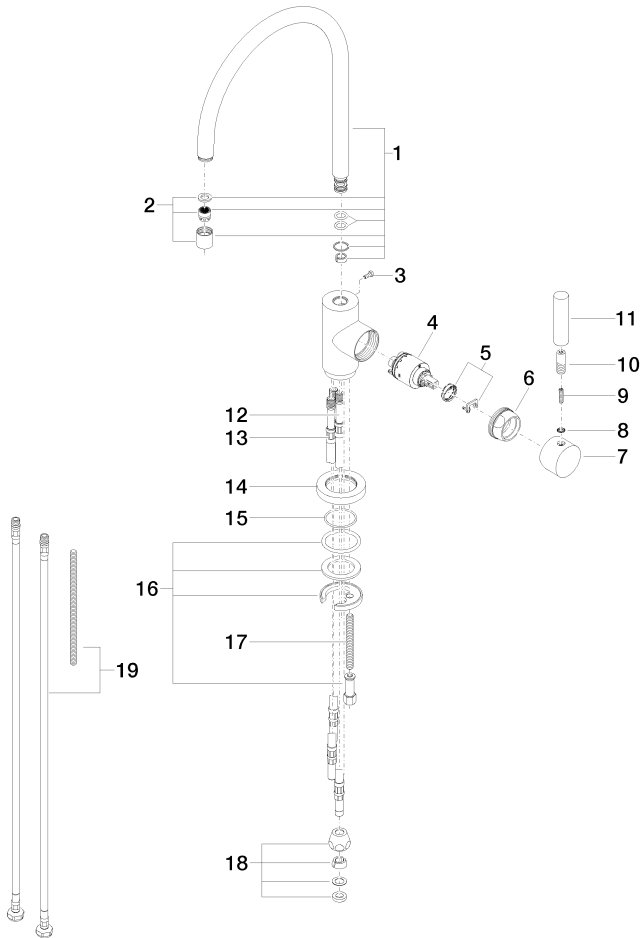
---

IAPMO\_6397

IAPMO\_N-4976

**TARA Single-lever mixer for rinsing/Profi spray - Dark Chrome**

33 826 888





## TARA Single-lever mixer for rinsing/Profi spray - Dark Chrome

---

33 826 888

### **Spare parts list**