



TARA Single-lever mixer for rinsing/Profi spray - Brushed Chrome

33 826 888



- 235mm projection
- pivotable spout 360°
- air-enriched flow
- height of mixer 400 mm
- height up to aerator 230 mm
- single-lever mixer hole diameter 35mm
- 2x US pressure hose, 3/8"
- max. flow 5.7 l/min at 3 bar flow pressure
- lead-free
- This product can help a building meet the requirements of Green Building Rating Systems, e.g. LEED®, BREEAM®, DGNB

Single-lever mixer for combining with rinsing/Profi spray only

	Brushed Chrome	33 826 888-93 0010
	Chrome	33 826 888-00 0010
	Brushed Platinum	33 826 888-06 0010
	Platinum	33 826 888-08 0010
	Durabrand (23kt Gold)	33 826 888-09 0010
	Dark Chrome	33 826 888-19 0010
	Brushed Durabrand (23kt Gold)	33 826 888-28 0010
	Matte Black	33 826 888-33 0010
	Brushed Champagne (22kt Gold)	33 826 888-46 0010
	Champagne (22kt Gold)	33 826 888-47 0010
	Brushed Dark Platinum	33 826 888-99 0010

Recommended miscellaneous



Profi spray set - Brushed Chrome 27 789 970-93 0010

Recommended miscellaneous

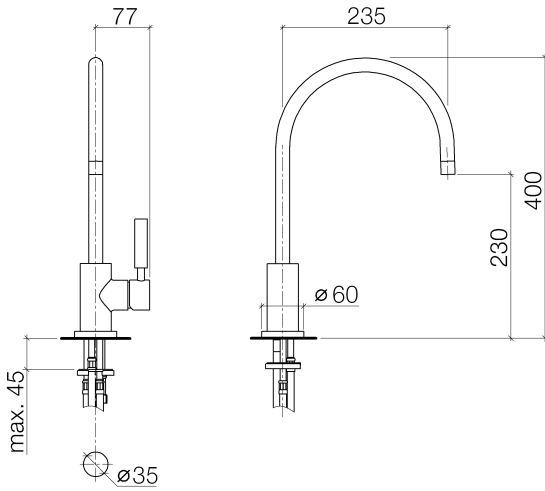


Rinsing spray set - Brushed Chrome 27 721 970-93

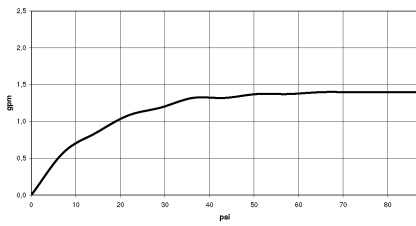


TARA Single-lever mixer for rinsing/Profi spray - Brushed Chrome

33 826 888



Flow rate chart



Codes & Standards

ADA

ASME
A112.18.1/CSA
B125.1

California Energy
Commission
(CEC)

NSF/ANSI 372

NSF/ANSI/CAN
61

NSF372

NSF61



TARA Single-lever mixer for rinsing/Profi spray - Brushed Chrome

33 826 888

Certificates

IAPMO_6397

IAPMO_N-4976

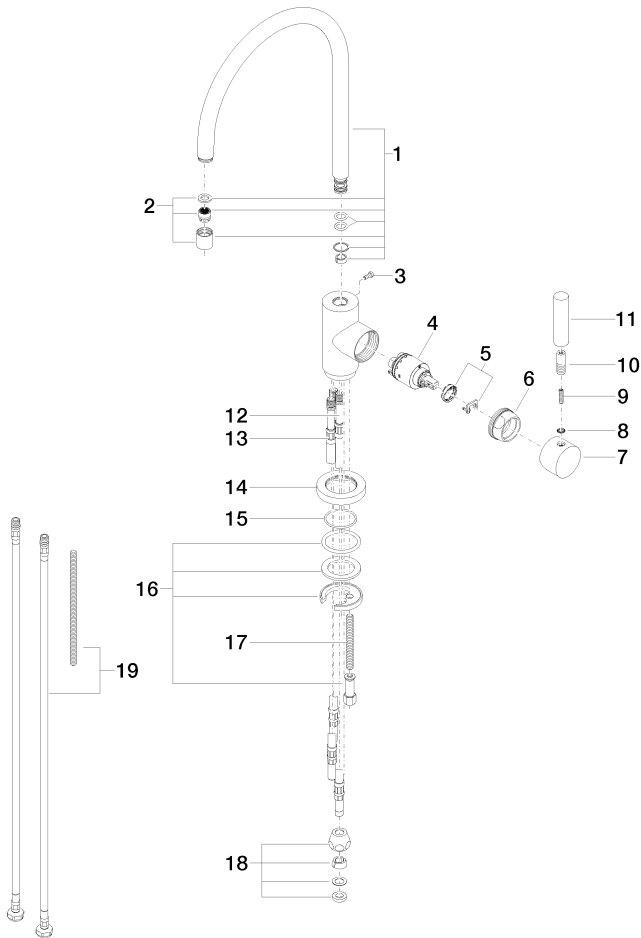


TARA Single-lever mixer for rinsing/Profi spray - Brushed Chrome

33 826 888

Product version from 9/1/2021

Parts for other finishes can be found here: [Chrome](#)





TARA Single-lever mixer for rinsing/Profi spray - Brushed Chrome

33 826 888

Spare parts list

Product version from 9/1/2021