

33 840 790



- 235mm projection
- pivotable spout 360°
- air-enriched flow
- height of mixer 337 mm
- height up to aerator 300 mm
- hole diameter 35 mm
- 2 x pressure hose with 3/8" cap nut
- fabric braided hose 1500 mm
- max. flow 5.7 l/min at 3 bar flow pressure
- lead-free
- This product can help a building meet the requirements of Green Building Rating Systems, e.g. LEED®, BREEAM®, DGNB

Not possible in combination with rinsing spray.

	Dark Chrome	33 840 790-19 0010
	Chrome	33 840 790-00 0010
	Brushed Platinum	33 840 790-06 0010
	Platinum	33 840 790-08 0010
	Brushed Durabross (23kt Gold)	33 840 790-28 0010
	Brushed Champagne (22kt Gold)	33 840 790-46 0010
	Champagne (22kt Gold)	33 840 790-47 0010
	Brushed Chrome	33 840 790-93 0010
	Brushed Dark Platinum	33 840 790-99 0010

**Recommended miscellaneous**

**AIR SWITCH Control button - Chrome** 10 713 970-00



**Recommended miscellaneous**

**Dispenser without rosette - Chrome** 82 424 970-00



**Recommended miscellaneous**

**Dispenser without rosette - Dark Chrome** 82 424 970-19

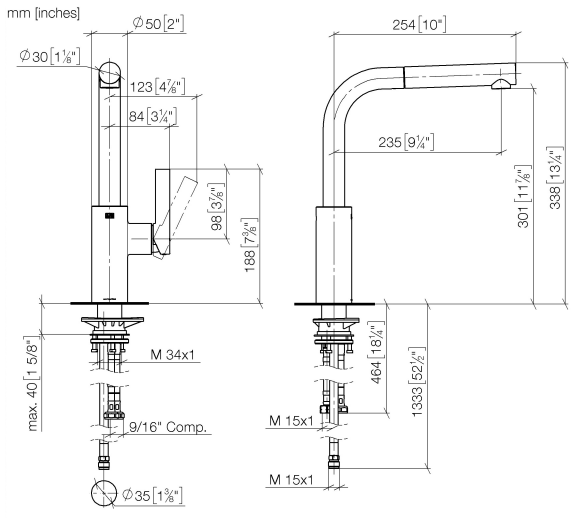


**Recommended miscellaneous**

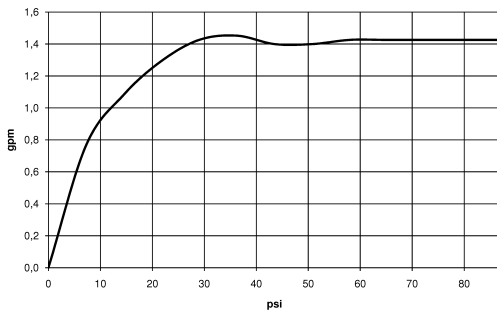
**AIR SWITCH Control button - Dark Chrome** 10 713 970-19



33 840 790



**Flow rate chart**



**Codes & Standards**

ADA

ASME  
A112.18.1/CSA  
B125.1

California Energy  
Commission  
(CEC)

NSF/ANSI 372

NSF/ANSI/CAN  
61



## ELIO Single-lever mixer Pull-out - Dark Chrome

---

ELIO

33 840 790

### Certificates

---

IAPMO\_6397 (1).

33 840 790

