

33 840 790



- 235mm projection
- pivotable spout 360°
- air-enriched flow
- height of mixer 337 mm
- height up to aerator 300 mm
- hole diameter 35 mm
- 2 x pressure hose with 3/8" cap nut
- fabric braided hose 1500 mm
- max. flow 5.7 l/min at 3 bar flow pressure
- lead-free
- This product can help a building meet the requirements of Green Building Rating Systems, e.g. LEED®, BREEAM®, DGNB

Not possible in combination with rinsing spray.

| | | |
|---|--------------------------------|--------------------|
|  | Brushed Dark Platinum | 33 840 790-99 0010 |
|  | Chrome | 33 840 790-00 0010 |
|  | Brushed Platinum | 33 840 790-06 0010 |
|  | Platinum | 33 840 790-08 0010 |
|  | Dark Chrome | 33 840 790-19 0010 |
|  | Brushed Durabronze (23kt Gold) | 33 840 790-28 0010 |
|  | Brushed Champagne (22kt Gold) | 33 840 790-46 0010 |
|  | Champagne (22kt Gold) | 33 840 790-47 0010 |
|  | Brushed Chrome | 33 840 790-93 0010 |

Recommended miscellaneous

**AIR SWITCH Control button -
Brushed Dark Platinum** 10 713 970-99

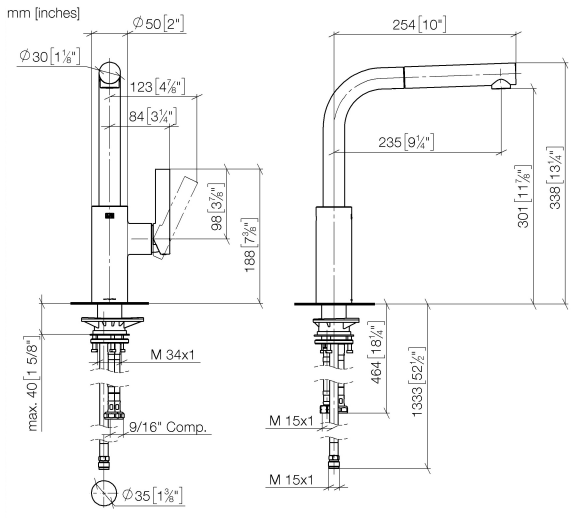


Recommended miscellaneous

**Dispenser without rosette -
Brushed Dark Platinum** 82 424 970-99



33 840 790



Flow rate chart



Codes & Standards

ADA

ASME
A112.18.1/CSA
B125.1

California Energy
Commission
(CEC)

NSF/ANSI 372

NSF/ANSI/CAN
61



ELIO Single-lever mixer Pull-out - Brushed Dark Platinum

ELIO

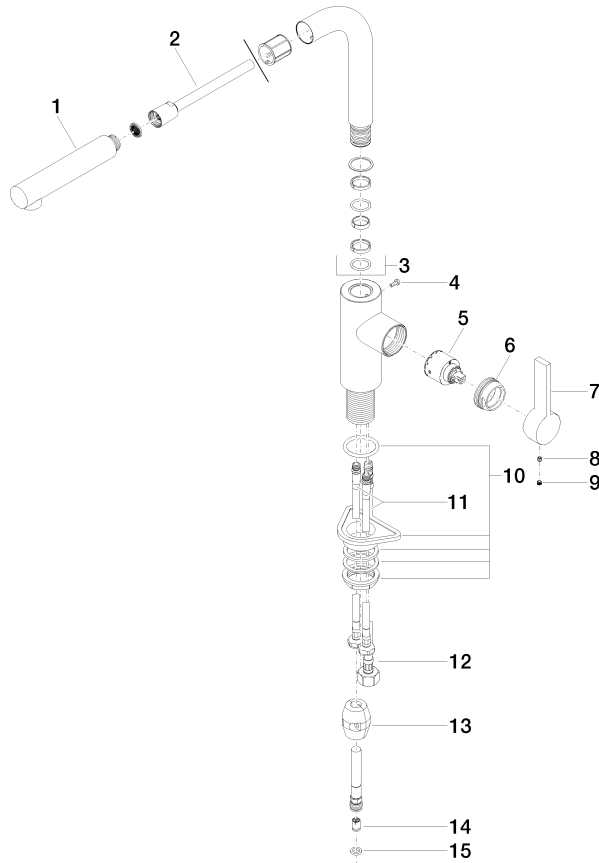
33 840 790

Certificates

IAPMO_6397 (1).

33 840 790

Parts for other finishes can be found here: [Chrome](#)



Spare parts list

| No. | Item Number | Name | Quantity used | Delivery time |
|-----|--------------------|---------------------|---------------|---------------|
| 1 | 04 12 11 106 00-99 | shower | 1 | 30 |
| 2 | 90 30 02 062 00-99 | hose | 1 | 30 |
| 3 | 90 28 22 186 00-99 | spout | 1 | 30 |
| 4 | 09 30 30 054 90 | screw | 1 | 2 |
| 5 | 90 15 05 045 00 90 | cartridge | 1 | 2 |
| 6 | 09 24 04 141-99 | nut | 1 | 30 |
| 7 | 09 20 79 040-99 | handle | 1 | 30 |
| 8 | 90 31 11 030 00 90 | pin | 1 | 2 |
| 9 | 90 31 20 109 00 90 | plug | 1 | 2 |
| 10 | 04 23 10 044 02 90 | fixing set | 1 | 2 |
| 11 | 04 30 04 106 00 90 | hose | 1 | 2 |
| 12 | 04 30 04 029 00 90 | hose | 1 | 2 |
| 13 | 04 21 50 005 00 90 | accessories | 1 | 2 |
| 14 | 09 23 01 096 90 | back-flow preventer | 1 | 2 |
| 15 | 90 14 20 019 00 90 | seal | 1 | 2 |