







33 860 875



- 240mm projection
- pivotable 360°
- air-enriched flow and spray flow
- height of mixer 685 mm
- height up to aerator 129 mm
- hole diameter 35 mm
- 2 x pressure hose with 3/8" cap nut
- sprayface with anti-scaling system
- max. flow 5.7 l/min at 3 bar flow pressure
- lead-free
- This product can help a building meet the requirements of Green Building Rating Systems, e.g. LEED®, BREEAM®, DGNB

Intrinsic protection against back flow.

Switch back and forth between aerator and spray mode while water is running.

	Platinum	33 860 875-08 0010
	Chrome	33 860 875-00 0010
	Brushed Platinum	33 860 875-06 0010
	Dark Chrome	33 860 875-19 0010
	Brushed Chrome	33 860 875-93 0010
	Brushed Dark Platinum	33 860 875-99 0010

Recommended miscellaneous

**AIR SWITCH Control button - Platinum** 10 713 970-08

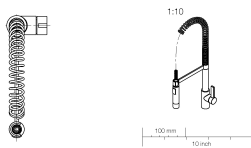
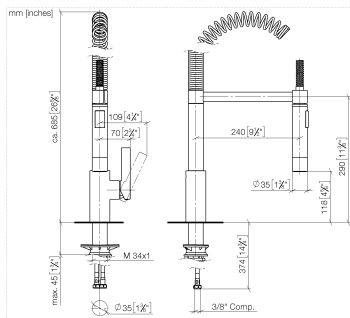


Recommended miscellaneous

**Dispenser without rosette - Platinum** 82 424 970-08



33 860 875



Flow rate chart



Codes & Standards

ADA

ASME  
A112.18.1/CSA  
B125.1

California Energy  
Commission  
(CEC)

NSF/ANSI 372

NSF/ANSI/CAN  
61



33 860 875

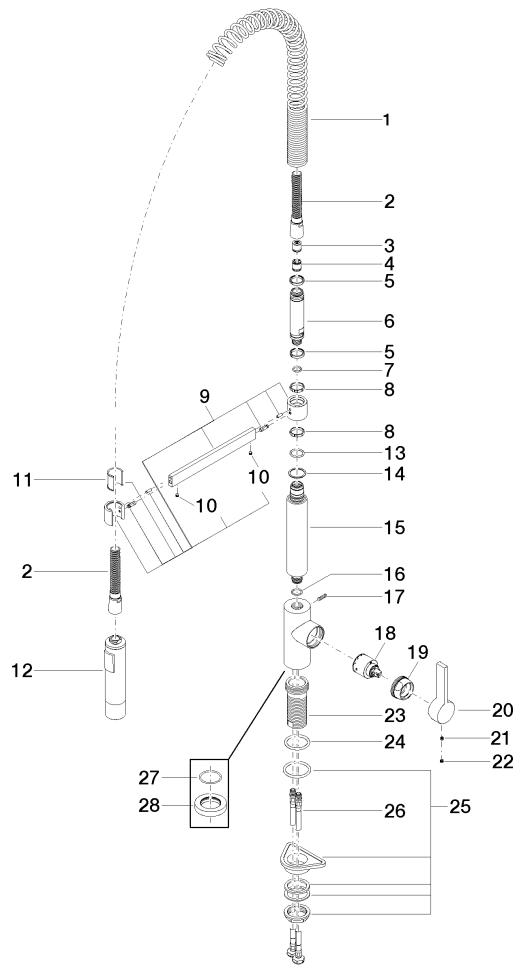
Certificates

---

IAPMO\_N-4976 (2). IAPMO\_4976 (3). IAPMO\_6397 (1).

33 860 875

Parts for other finishes can be found here: [Chrome](#)



33 860 875

Spare parts list

No.	Item Number	Name	Quantity used	Delivery time
1	09 16 02 035 90	spring	1	2
2	90 30 02 065 00-08	hose	1	-
Spare part can no longer be ordered, please order the replacement item				
3	90 23 01 080 00 90	back-flow preventer	1	2
4	90 23 01 141 00 90	back-flow preventer	1	2
5	09 14 15 024 90	ring	2	2
6	09 30 01 067 10-08	adaptor	1	40
7	90 14 10 077 00 90	seal	1	2
8	09 28 10 181 90	ring	2	2
9	04 17 20 029 00-08	holder	1	40
10	90 31 11 112 00 90	pin	2	2
11	09 18 40 118 90	sleeve	1	2
12	04 12 11 092 10-08	shower	1	40
13	09 14 10 100 90	seal	1	2
14	09 28 10 122 90	ring	1	2
15	09 11 10 072 10-08	connection	1	40
16	90 14 10 055 00 90	seal	1	2
17	04 31 11 113 00 90	pin	1	2
18	90 15 05 045 00 90	cartridge	1	2
19	09 24 04 107-08	nut	1	40
20	09 20 79 040-08	handle	1	40
21	90 31 11 030 00 90	pin	1	2
22	90 31 20 109 00 90	plug	1	2
23	09 30 01 111 20 90	sleeve	1	2
24	09 14 10 036 90	seal	1	2
25	04 23 10 044 02 90	fixing set	1	2
26	04 30 04 107 00 90	hose	2	2
27	09 14 10 149 90	seal	1	2
28	09 28 10 035-08	rosette	1	60