

33 870 760



- 225mm projection
- pivotable spout 130°
- laminar and spray flow
- height of mixer 167 mm
- height up to aerator 137 mm
- hole diameter 35 mm
- 2 x pressure hose with 3/8" cap nut
- fabric braided hose 1500 mm
- max. flow 5.7 l/min at 3 bar flow pressure
- lead-free
- This product can help a building meet the requirements of Green Building Rating Systems, e.g. LEED®, BREEAM®, DGNB

Intrinsic protection against back flow.

Push button locks into spray mode when pressed. To switch back to aerator mode the water must be turned off.

	Brushed Platinum	33 870 760-06 0010
	Chrome	33 870 760-00 0010
	Platinum	33 870 760-08 0010
	Dark Chrome	33 870 760-19 0010
	Brushed Durabronze (23kt Gold)	33 870 760-28 0010
	Brushed Champagne (22kt Gold)	33 870 760-46 0010
	Champagne (22kt Gold)	33 870 760-47 0010
	Brushed Chrome	33 870 760-93 0010
	Brushed Dark Platinum	33 870 760-99 0010

**Recommended miscellaneous**

**AIR SWITCH Control button -** 10 713 970-06  
**Brushed Platinum**

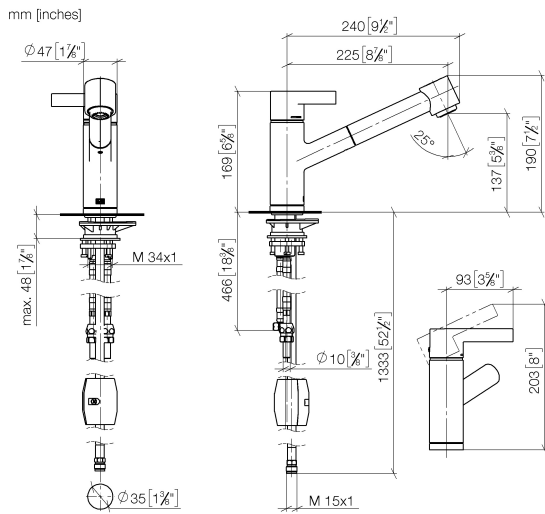


**Recommended miscellaneous**

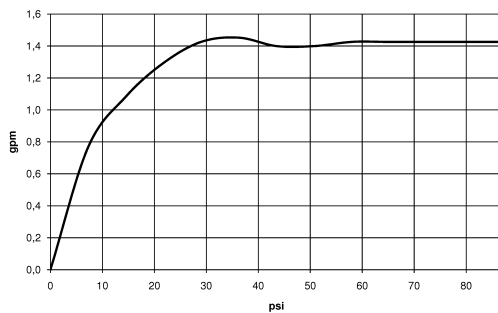
**Dispenser without rosette -** 82 424 970-06  
**Brushed Platinum**



33 870 760



**Flow rate chart**



**Codes & Standards**

ADA

ASME  
A112.18.1/CSA  
B125.1

California Energy  
Commission  
(CEC)

NSF/ANSI 372

NSF/ANSI/CAN  
61



## ENO Single-lever mixer Pull-out with spray function - Brushed Platinum

---

ENO

33 870 760

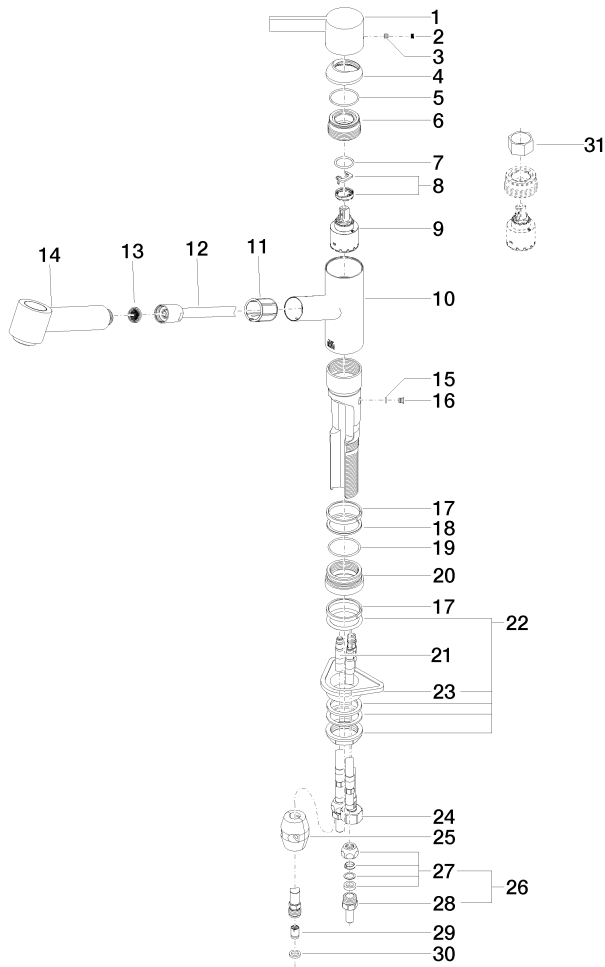
### Certificates

---

IAPMO\_N-4976 (2). IAPMO\_4976 (3). IAPMO\_6397 (1).

33 870 760

Parts for other finishes can be found here: [Chrome](#)



33 870 760

Spare parts list

No.	Item Number	Name	Quantity used	Delivery time
1	09 20 76 001-06	handle	1	10
2	90 31 20 109 00 90	plug	1	2
3	90 31 11 030 00 90	pin	1	2
4	09 28 30 012-06	cover	1	10
5	09 14 10 102 90	seal	1	2
6	09 24 04 270 90	nut	1	2
7	09 14 10 031 90	seal	1	2
8	90 28 10 148 00 90	accessories	1	2
9	90 15 05 064 00 90	cartridge	1	2
10	09 19 76 009-06	sleeve	1	10
11	09 18 40 099 90	sleeve	1	2
12	90 30 02 062 00-06	hose	1	10
13	09 23 01 039 90	sieve	1	2
14	04 12 11 102 00-06	shower	1	10
15	09 14 10 001 90	seal	1	2
16	09 30 30 113 20 90	screw	1	2
17	09 14 15 029 90	ring	2	2
18	09 28 10 144 90	ring	1	2
19	09 14 10 034 90	seal	1	2
20	09 27 76 001-06	rosette	1	10
21	04 30 04 018 00 90	hose	2	60
22	04 23 10 044 02 90	fixing set	1	2
23	09 18 40 090 90	sleeve	1	2
24	04 30 04 019 00 90	hose	1	2
25	04 21 50 005 00 90	accessories	1	2
26	04 24 04 222 00-06	adaptor	1	-
Spare part can no longer be ordered, please order the replacement item				
27	04 23 30 031 01-07	threaded connector	2	60
28	09 24 04 222 10-06	adaptor	2	-
Spare part can no longer be ordered, please order the replacement item				
29	09 23 01 096 90	back-flow preventer	1	2
30	90 14 20 019 00 90	seal	1	2
31	90 30 09 031 00 90	key	1	2