

33 870 760



- 225mm projection
- pivotable spout 130°
- laminar and spray flow
- height of mixer 167 mm
- height up to aerator 137 mm
- hole diameter 35 mm
- 2 x pressure hose with 3/8" cap nut
- fabric braided hose 1500 mm
- max. flow 5.7 l/min at 3 bar flow pressure
- lead-free
- This product can help a building meet the requirements of Green Building Rating Systems, e.g. LEED®, BREEAM®, DGNB

Intrinsic protection against back flow.

Push button locks into spray mode when pressed. To switch back to aerator mode the water must be turned off.

	Brushed Chrome	33 870 760-93 0010
	Chrome	33 870 760-00 0010
	Brushed Platinum	33 870 760-06 0010
	Platinum	33 870 760-08 0010
	Dark Chrome	33 870 760-19 0010
	Brushed Durabronze (23kt Gold)	33 870 760-28 0010
	Brushed Champagne (22kt Gold)	33 870 760-46 0010
	Champagne (22kt Gold)	33 870 760-47 0010
	Brushed Dark Platinum	33 870 760-99 0010

**Recommended miscellaneous**

**Dispenser without rosette -  
Brushed Chrome** 82 424 970-93

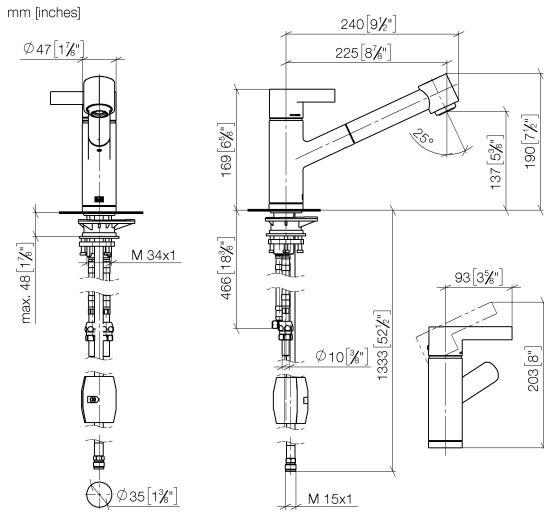


**Recommended miscellaneous**

**AIR SWITCH Control button -  
Brushed Chrome** 10 713 970-93



33 870 760



**Flow rate chart**



**Codes & Standards**

ADA

ASME  
A112.18.1/CSA  
B125.1

California Energy  
Commission  
(CEC)

NSF/ANSI 372

NSF/ANSI/CAN  
61



## ENO Single-lever mixer Pull-out with spray function - Brushed Chrome

---

ENO

33 870 760

### Certificates

---

IAPMO\_N-4976 (2). IAPMO\_6397 (1).

33 870 760

Parts for other finishes can be found here: [Chrome](#)

