


33 870 861



- 240mm projection
- pivotable spout 360°
- Optional swivel limiter available with swivel limiter set 12 823 970 90
- laminar and spray flow
- height of mixer 386 mm
- height up to laminar flow regulator 183 mm
- hole diameter 35 mm
- 2 x pressure hose with 3/8" cap nut
- 1800 mm metal shower hose
- sprayface with anti-scaling system
- max. flow 5.7 l/min at 3 bar flow pressure
- lead-free
- This product can help a building meet the requirements of Green Building Rating Systems, e.g. LEED®, BREEAM®, DGNB

Intrinsic protection against back flow.

Push button locks into spray mode when pressed. To switch back to laminar flow the water must be turned off.

	Platinum	33 870 861-08 0010
	Chrome	33 870 861-00 0010
	Brushed Platinum	33 870 861-06 0010
	Durabrace (23kt Gold)	33 870 861-09 0010
	Dark Chrome	33 870 861-19 0010
	Brushed Durabrace (23kt Gold)	33 870 861-28 0010
	Matte Black	33 870 861-33 0010
	Brushed Champagne (22kt Gold)	33 870 861-46 0010
	Champagne (22kt Gold)	33 870 861-47 0010
	Brushed Chrome	33 870 861-93 0010
	Brushed Dark Platinum	33 870 861-99 0010


**Recommended miscellaneous**

	<b>Swivel limitation set -</b>	12 823 970 90
---	--------------------------------	---------------

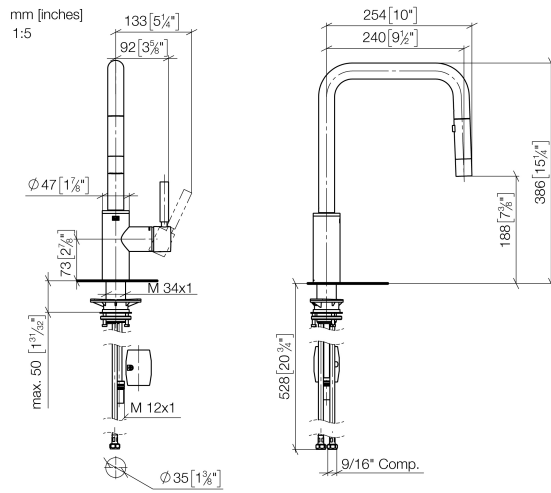
**Recommended miscellaneous**

	<b>AIR SWITCH Control button - Platinum</b>	10 713 970-08
---	---	---------------

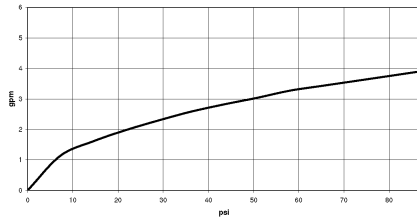
**Recommended miscellaneous**

	<b>Dispenser without rosette - Platinum</b>	82 424 970-08
---	---	---------------

33 870 861



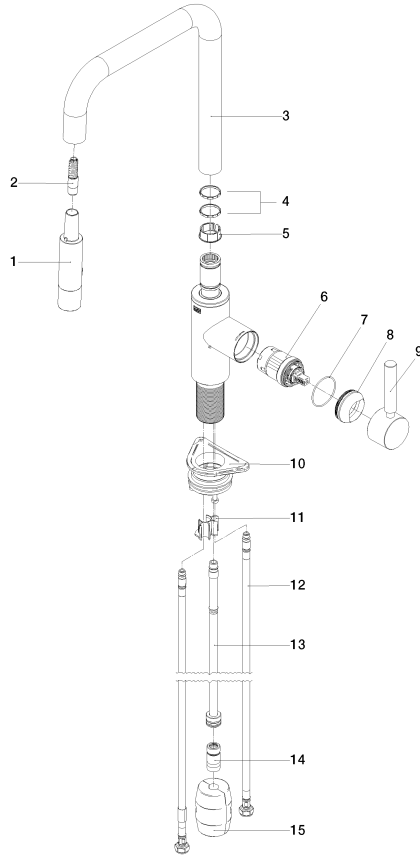
**Flow rate chart**



**Codes & Standards**

California Energy  
Commission  
(CEC)

33 870 861



**Spare parts list**

No.	Item Number	Name	Quantity used	Delivery time
1	90 12 11 148 00-08	shower	1	40
2	04 30 02 120 00-85	hose	1	30
3	90 28 22 308 00-08	spout	1	-
Spare part can no longer be ordered, please order the replacement item				
4	09 28 10 160 90	ring	2	2
5	09 18 40 186 90	sleeve	1	2
6	90 15 05 064 05 90	cartridge	1	2
7	09 14 10 190 90	seal	1	2
8	09 28 30 030-08	cover	1	40
9	90 20 66 027 00-08	handle	1	40
10	04 30 11 040 00 90	fixing set	1	2
11	09 20 93 056 90	insert	1	2
12	04 30 04 103 00 90	hose	2	2
13	04 28 20 067 00 90	pipe	1	2
14	90 24 03 253 01 90	adaptor	1	2
15	04 21 50 010 00 90	accessories	1	2